

Thank you for your order!

We appreciate your business. Additional information on your product may be available on our website.



Happy?

Wonderful! We are very glad. Please share your experience with us and others. It helps us know what you like best!

- Review this product at www.HHEstore.com.

Search the item # from the home page to find the product. Leave your review under the review tab on the product's page!

- Follow us on Facebook and Instagram!

Customer Service

1-800-922-5524 | 1-314-428-5657
info@householdessential.com

Open Mon-Fri at 8:30 am CT.
Closed all national holidays.



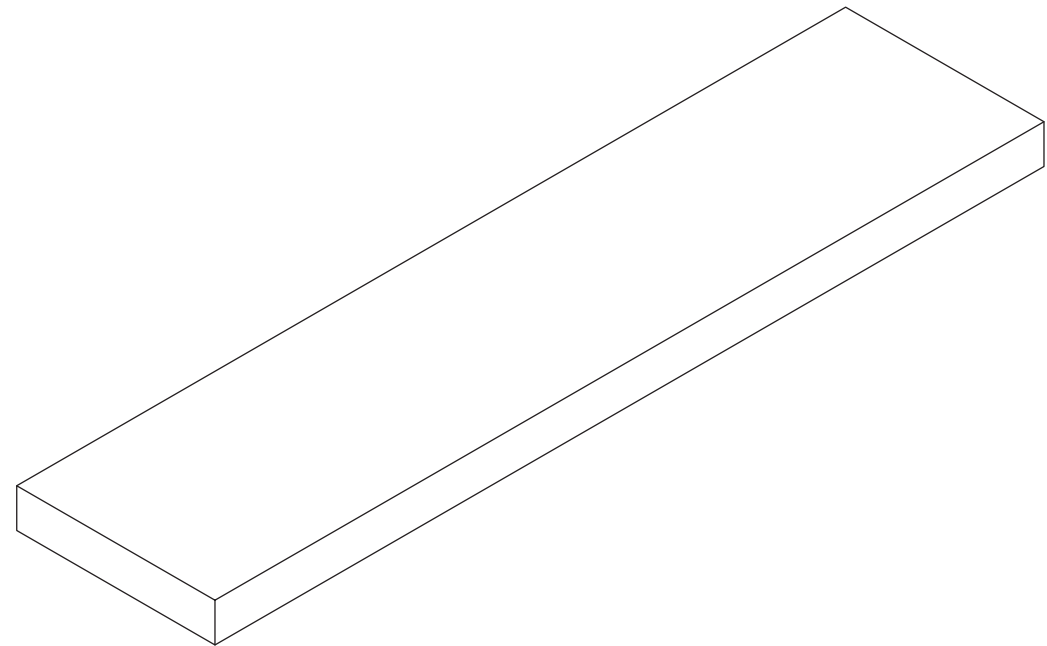
©2020 HOUSEHOLD ESSENTIALS, LLC
Hazelwood, MO 63042
www.householdessential.com

Floating Wall Shelf

8151-1

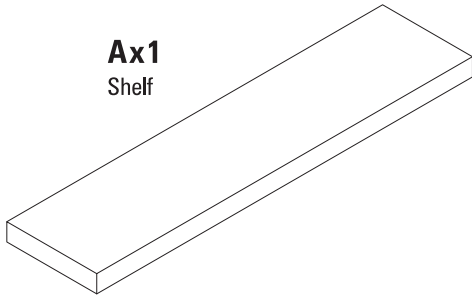
8153-1

8155-1

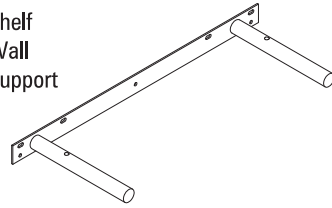


Parts

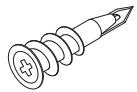
Ax1
Shelf



Bx1
Shelf
Wall
Support



1x4
Anchor

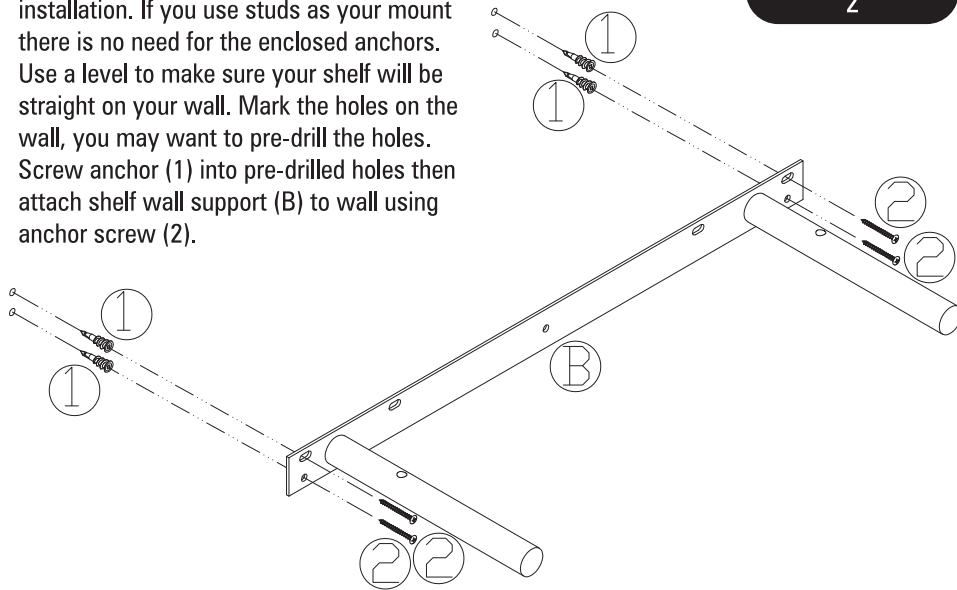


2x6
Anchor
Screws



Assembly

- 1 Find the desired area that you want to install the floating wall shelf. Shelf wall support (B) mounting holes are 16" apart, so this unit will fit into most locations for stud installation. If you use studs as your mount there is no need for the enclosed anchors. Use a level to make sure your shelf will be straight on your wall. Mark the holes on the wall, you may want to pre-drill the holes. Screw anchor (1) into pre-drilled holes then attach shelf wall support (B) to wall using anchor screw (2).

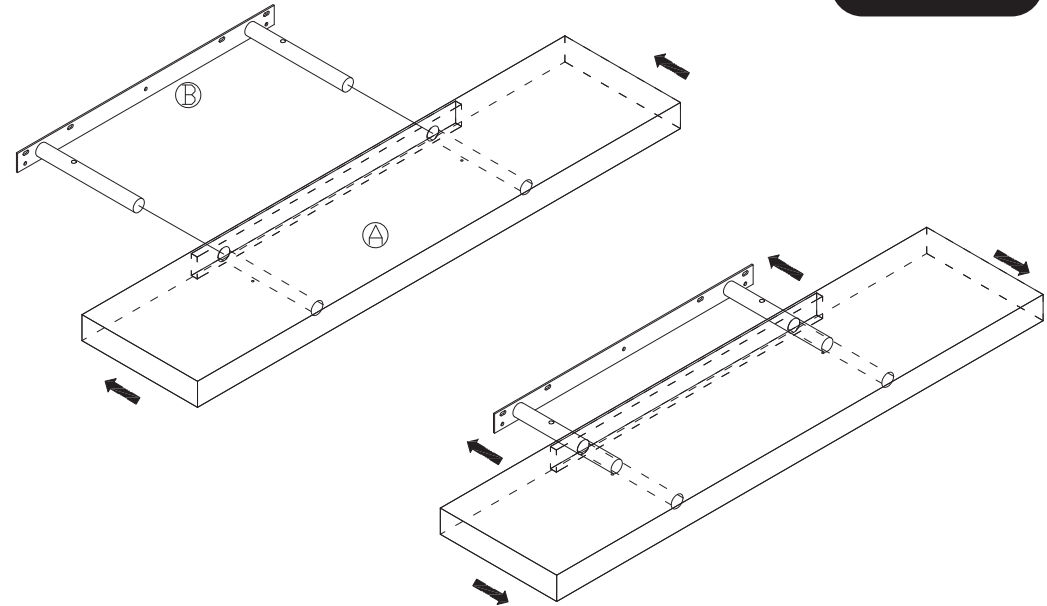


Parts Needed:

B
1
2

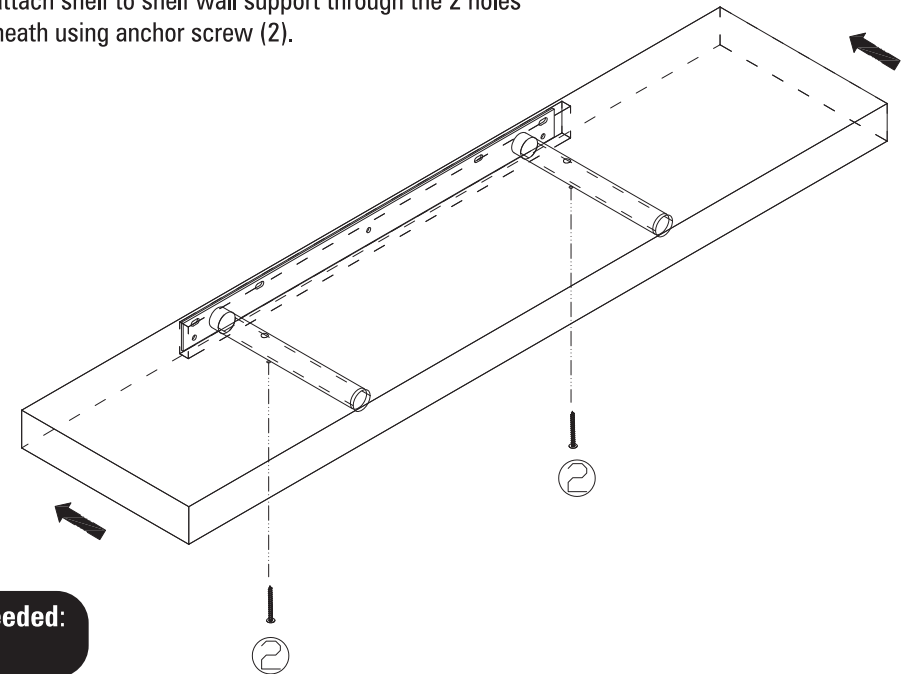
Assembly con't

- 2 Then slide shelf (A) to shelf wall support (B) till it is flush with the wall. Make sure the 2 screw holes for attaching A to B are facing down.



Parts Needed: A

- 3 Then attach shelf to shelf wall support through the 2 holes underneath using anchor screw (2).



Parts Needed: 2