

Thank you for your order!

We appreciate your business. Additional information on your product may be available on our website.



Happy?

Wonderful! We are very glad. Please share your experience with us and others. It helps us know what you like best!

- Review this product at www.householdessential.com.

Search the item # from the home page to find the product. Leave your review under the review tab on the product's page!

- Follow us on Facebook and Instagram!

Customer Service

1-800-922-5524 | 1-314-428-5657
info@householdessential.com

Open Mon-Fri at 8:30 am CT.
Closed all national holidays.



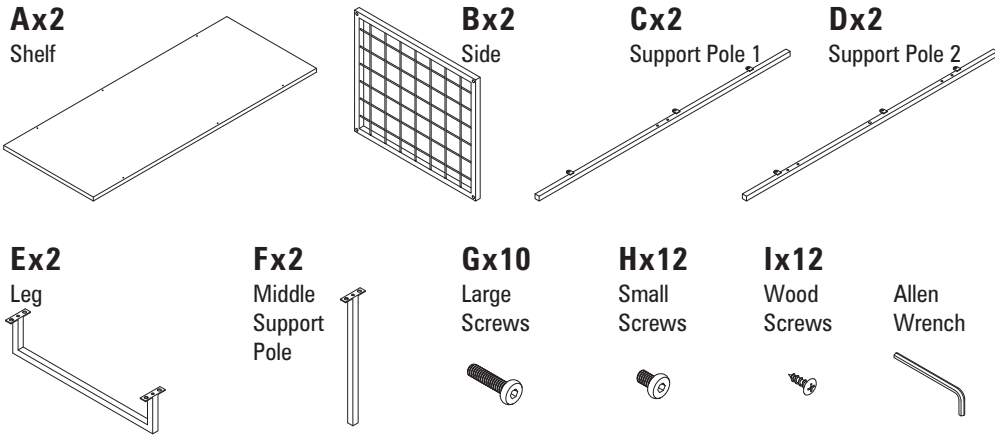
©2019 HOUSEHOLD ESSENTIALS, LLC
Hazelwood, MO 63042
www.householdessential.com

Coffee Table

8119-1

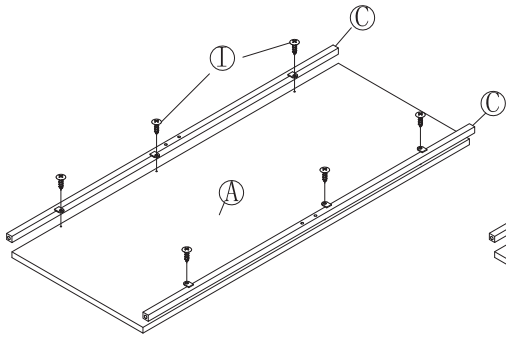


Parts

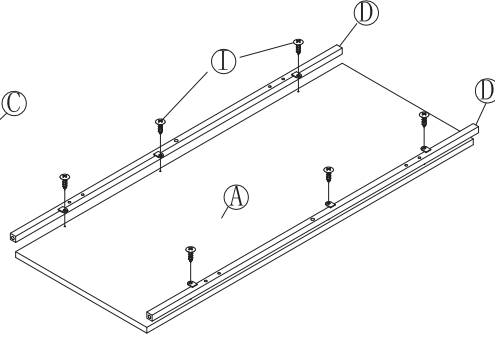


Assembly

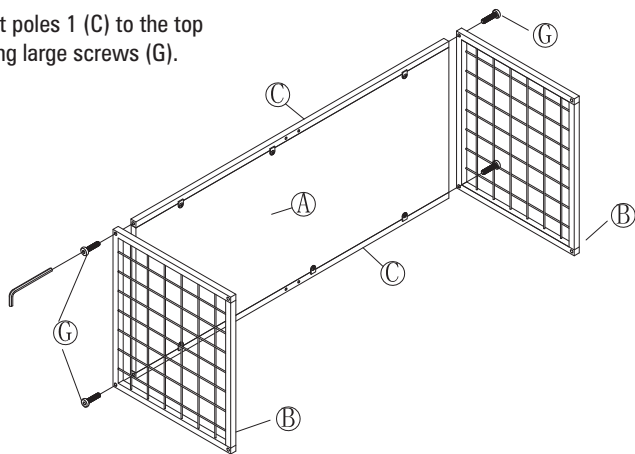
1 Attach support poles 1 (C) to shelf (A) using wood screws (I).



Attach support poles 2 (D) to shelf (A) using wood screws (I).

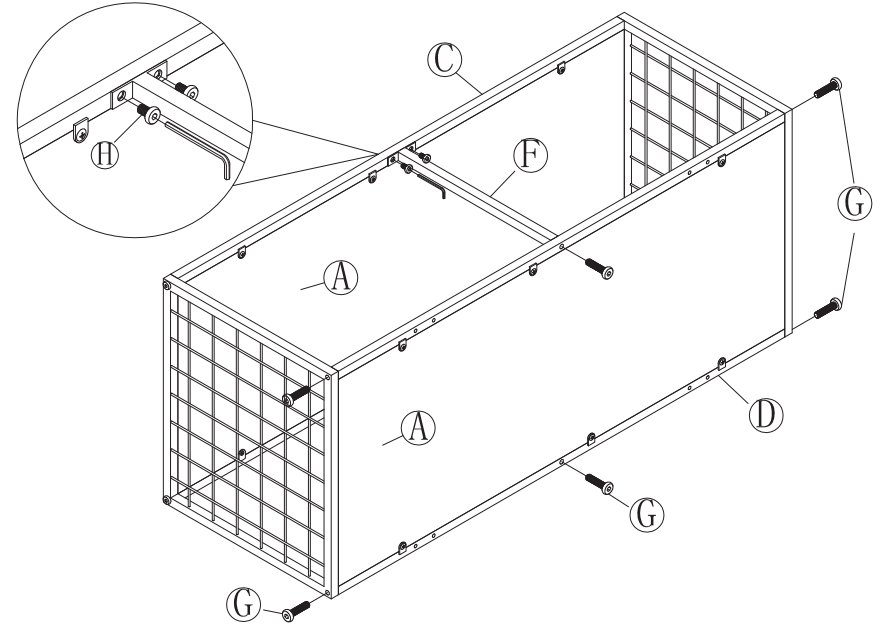


2 Attach shelf with support poles 1 (C) to the top of the side frame (B) using large screws (G).



Assembly cont'd

3 Attach middle support pole (F) to support pole 1 (C) using small screw (H). Then attach shelf with support poles 2 (D) to the bottom of the side frame (B) using large screws (G) and screw the bottom of middle support pole (F) to support poles 2 (D) using large screws (G).



4 Attach legs (E) to the bottom of support poles 2 (D) using small screws (H).

