

Thank you for your order!

We appreciate your business. Additional information on your product may be available on our website.



Happy?

Wonderful! We are very glad. Please share your experience with us and others. It helps us know what you like best!

- Review this product at www.householdessential.com.

Search the item # from the home page to find the product. Leave your review under the review tab on the product's page!

- Follow us on Facebook and Instagram!

Customer Service

1-800-922-5524 | 1-314-428-5657
info@householdessential.com

Open Mon-Fri at 8:30 am CT.
Closed all national holidays.



©2018 HOUSEHOLD ESSENTIALS, LLC
Hazelwood, MO 63042
www.householdessential.com

10/2018



Not happy?

Please give our St. Louis customer service a call at 1-800-922-5524. We are here to help.

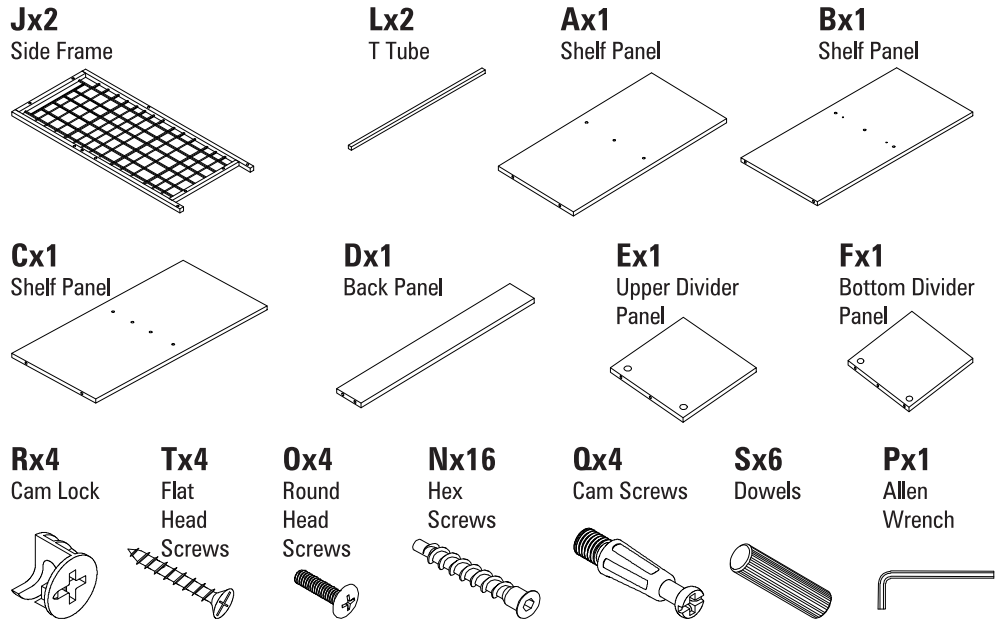
- Missing parts?
- Having trouble with assembly?



4 Cube Wall Unit w/Mesh Side Panels 8114-1 (Hickory)



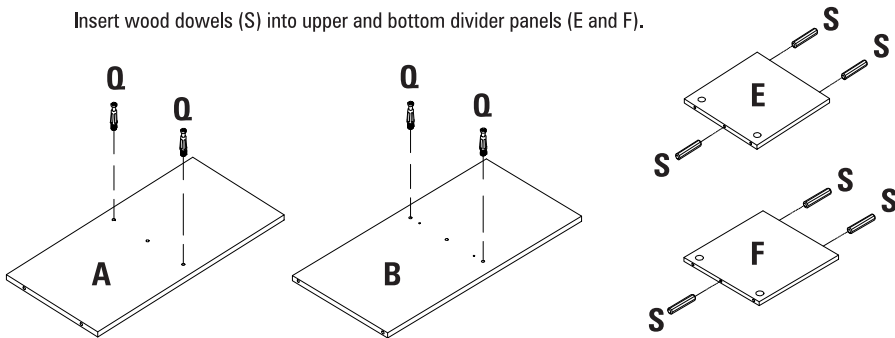
Parts



Assembly

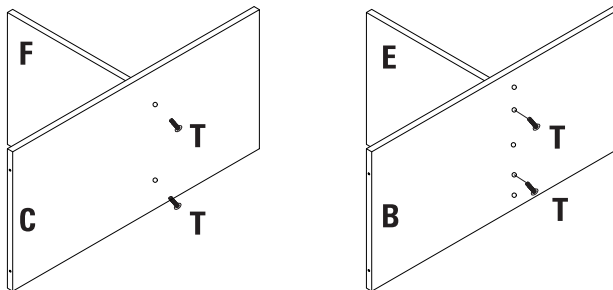
- 1** Insert cam screws (Q) into shelf panels (A and B).

Insert wood dowels (S) into upper and bottom divider panels (E and F).



- 2** Attach bottom divider panel (F) to bottom panel shelf (C) with screws (T).

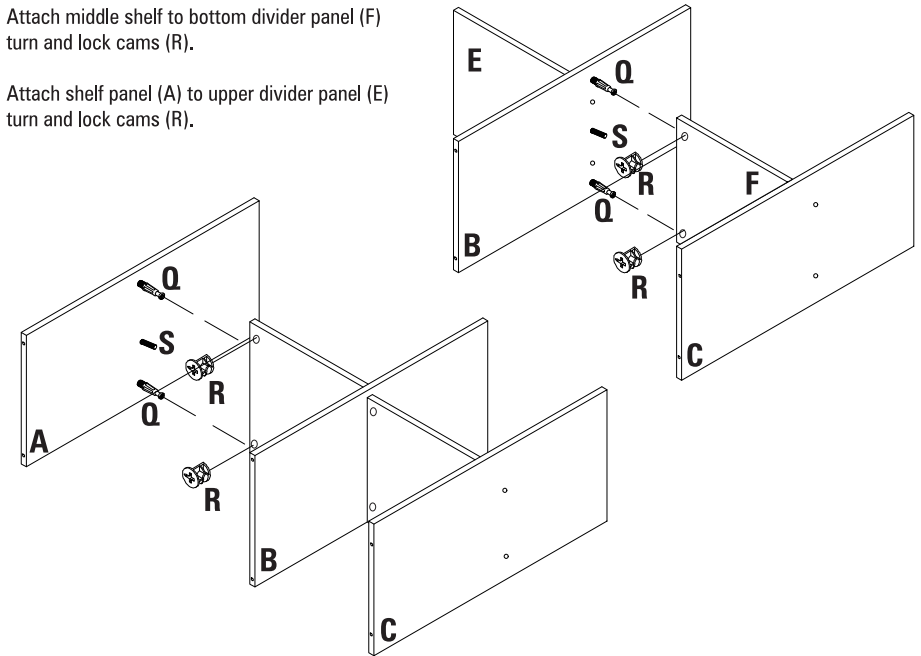
Attach upper divider panel (E) to shelf panel shelf (B) with screws (T).



Assembly con't

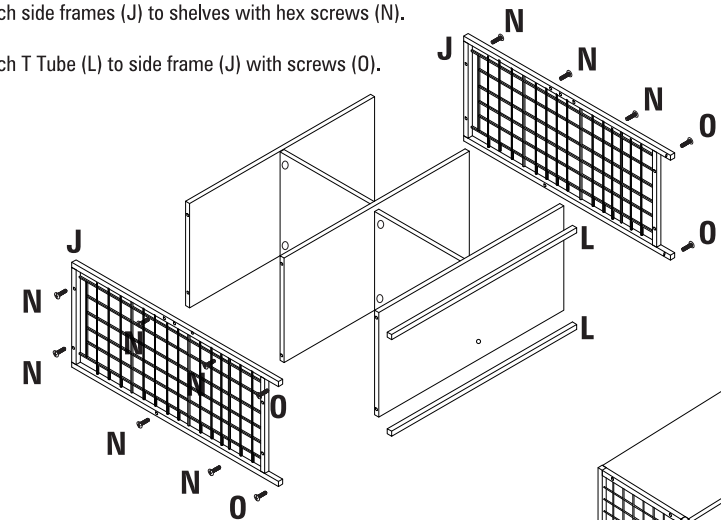
- 3** Attach middle shelf to bottom divider panel (F) turn and lock cams (R).

Attach shelf panel (A) to upper divider panel (E) turn and lock cams (R).



- 4** Attach side frames (J) to shelves with hex screws (N).

Attach T Tube (L) to side frame (J) with screws (O).



- 5** Attach back panel (D) to side frames (J) with hex screws (N).

