

Thank you for your order!

We appreciate your business. Additional information on your product may be available on our website.



Happy?

Wonderful! We are very glad. Please share your experience with us and others. It helps us know what you like best!

- Review this product at www.householdessential.com.

Search the item # from the home page to find the product. Leave your review under the review tab on the product's page!

- Follow us on Facebook and Instagram!

Customer Service

1-800-922-5524 | 1-314-428-5657
info@householdessential.com

Open Mon-Fri at 8:30 am CT.
Closed all national holidays.



©2019 HOUSEHOLD ESSENTIALS, LLC
Hazelwood, MO 63042
www.householdessential.com



Not happy?

Please give our St. Louis customer service a call at 1-800-922-5524. We are here to help.

- Missing parts?
- Having trouble with assembly?

Narrow

Coffee Table,

8076-1 - Ashwood (shown)

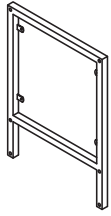
8138-1 - Walnut



Parts

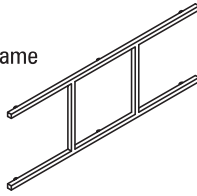
Ax2

Side Panel



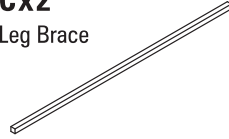
Bx2

Cross Frame



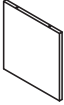
Cx2

Leg Brace



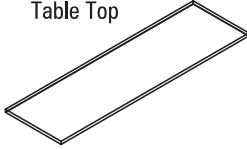
Ex2

Divider Panels



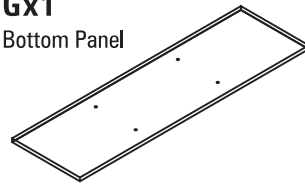
Fx1

Table Top



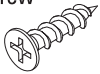
Gx1

Bottom Panel



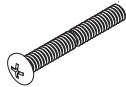
Hx12

Wood Screw



Ix12

Screw



Jx8

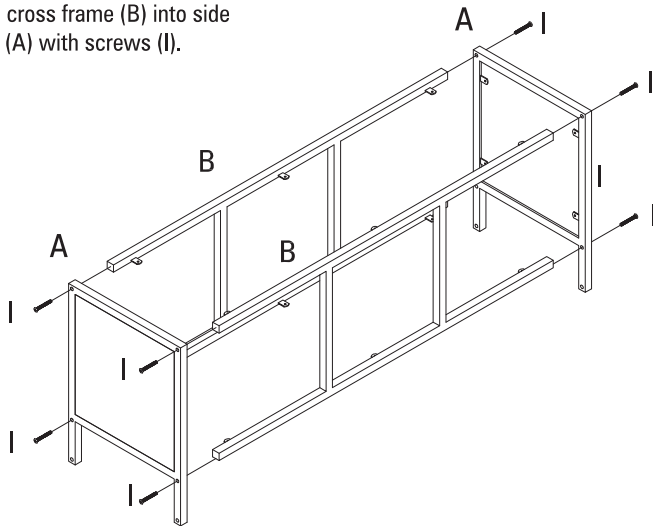
Pegs



NOTE: Finger tighten screws until fully assembled, unless instructed to "tighten fully".

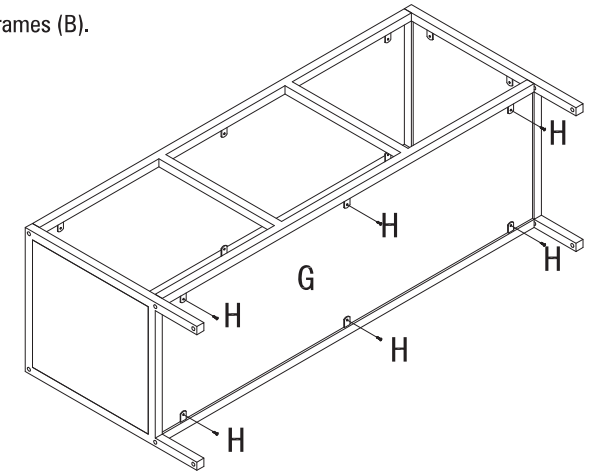
Assembly

- 1 Attach cross frame (B) into side panels (A) with screws (I).



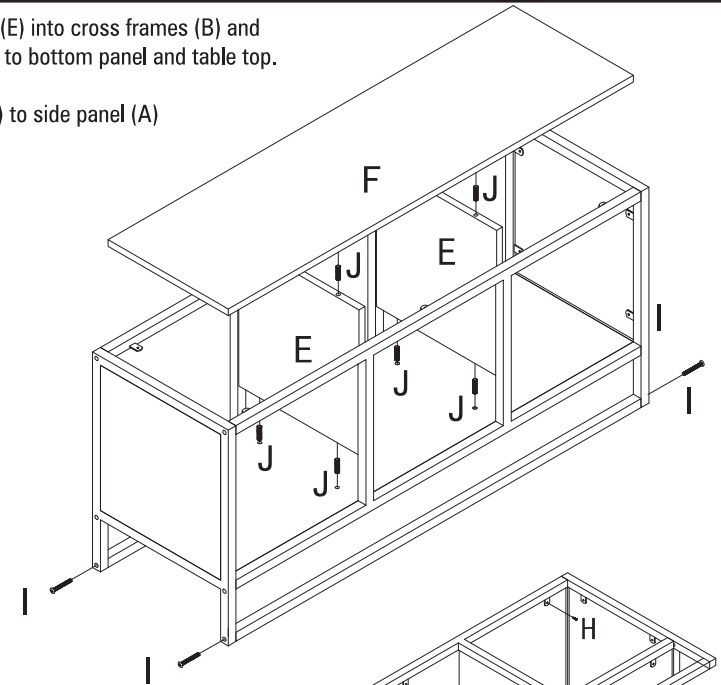
Assembly cont'd

- 2 Place bottom panel (G) into cross frames (B). Insert screws (H) and tighten fully.



- 3 Insert divider panels (E) into cross frames (B) and secure with pegs (J) to bottom panel and table top.

Attach leg braces (C) to side panel (A) with screws (I).



- 4 Secure table top (F) to cross frames (B) with screws (H).

Tighten remaining screws in frame (from steps 2 and 4).

