

Thank you for your order!

We appreciate your business. Additional information on your product may be available on our website.



Happy?

Wonderful! We are very glad. Please share your experience with us and others. It helps us know what you like best!

- Review this product at www.householdessential.com.

Search the item # from the home page to find the product. Leave your review under the review tab on the product's page!

- Follow us on Facebook and Instagram!

Customer Service

1-800-922-5524 | 1-314-428-5657
info@householdessential.com

Open Mon-Fri at 8:30 am CT.
Closed all national holidays.



©2017 HOUSEHOLD ESSENTIALS, LLC
Hazelwood, MO 63042
www.householdessential.com

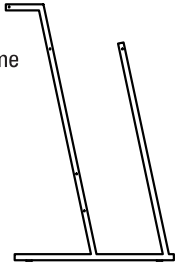
Ashwood Modular Desk 8070-1



Parts

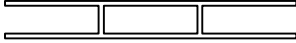
Ax2

Side Frame



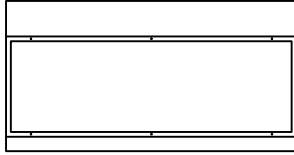
Bx1

Lower Cross Bar



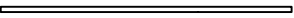
Cx1

Desk Top



Dx1

Upper Cross Bar



Ex4

Feet



Fx10

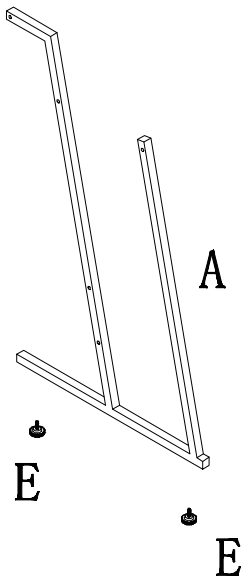
Screw



Assembly

1

Attach feet (E) to the bottom of side frames (A).

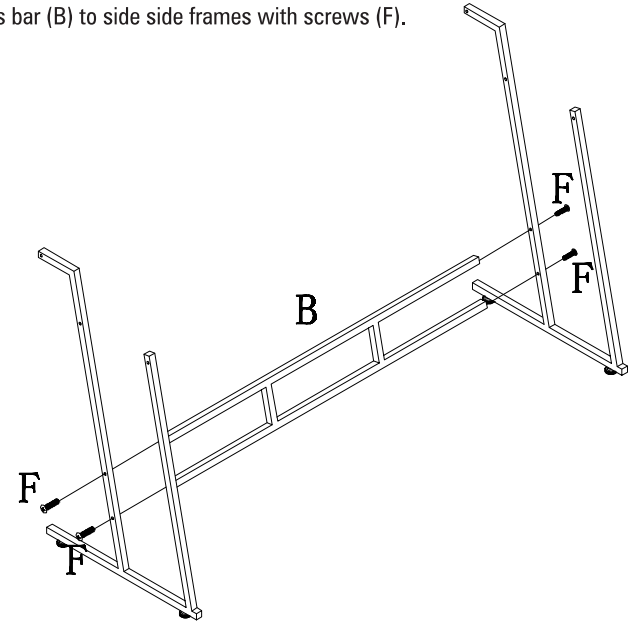


NOTE: Finger tighten screws until fully assembled, unless instructed to "tighten fully".

Assembly cont'd

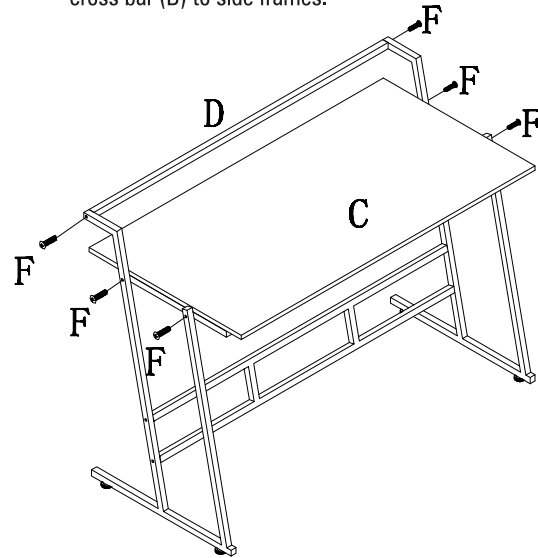
2

Attach lower cross bar (B) to side side frames with screws (F).



3

Attach desk top (C) to side frames. Then attach upper cross bar (D) to side frames.



4

Adjust feet to level desk.

