

Thank you for your order!

We appreciate your business. Additional information on your product may be available on our website.



Happy?

Wonderful! We are very glad. Please share your experience with us and others. It helps us know what you like best!

- Review this product at www.HHEstore.com.

Search the item # from the home page to find the product. Leave your review under the review tab on the product's page!

- Follow us on Facebook and Instagram!

Customer Service

1-800-922-5524 | 1-314-428-5657
info@householdessential.com

Open Mon-Fri at 8:30 am CT.
Closed all national holidays.



©2020 HOUSEHOLD ESSENTIALS, LLC
Hazelwood, MO 63042
www.householdessential.com



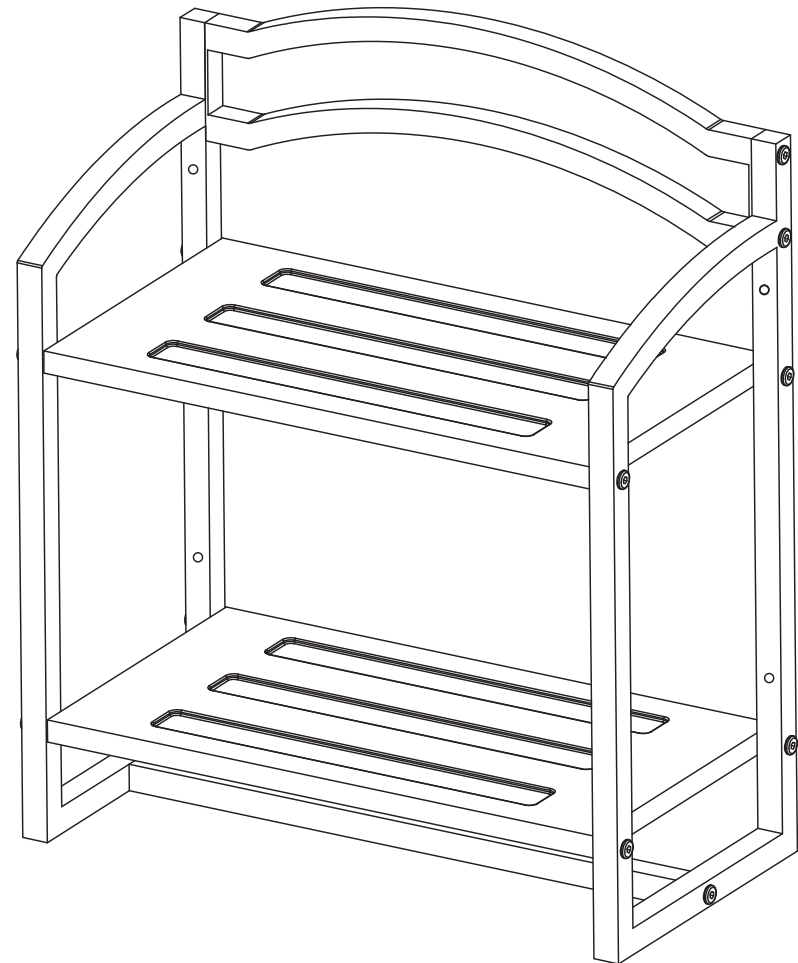
Not happy?

Please give our St. Louis customer service a call at 1-800-922-5524 or info@householdessential.com. We are here to help.

- Missing parts?
- Having trouble with assembly?

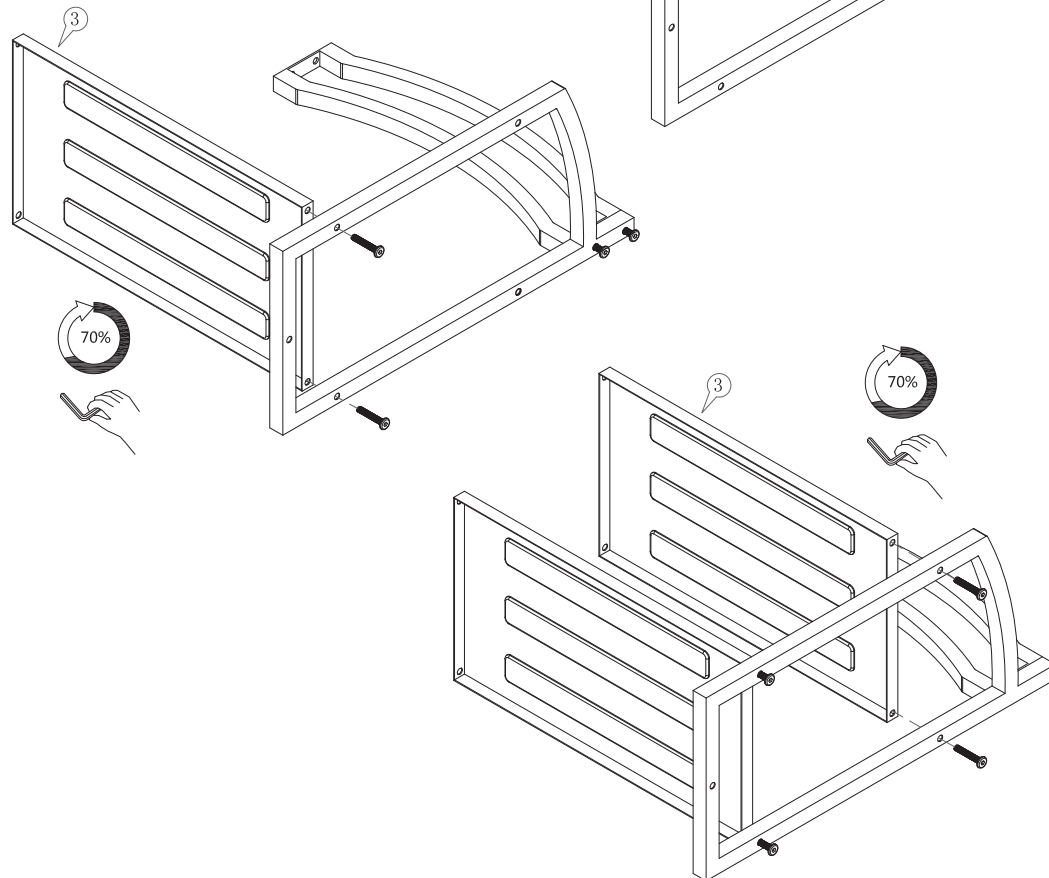
2 Shelf Hang Wall Rack

8052-1
8067-1



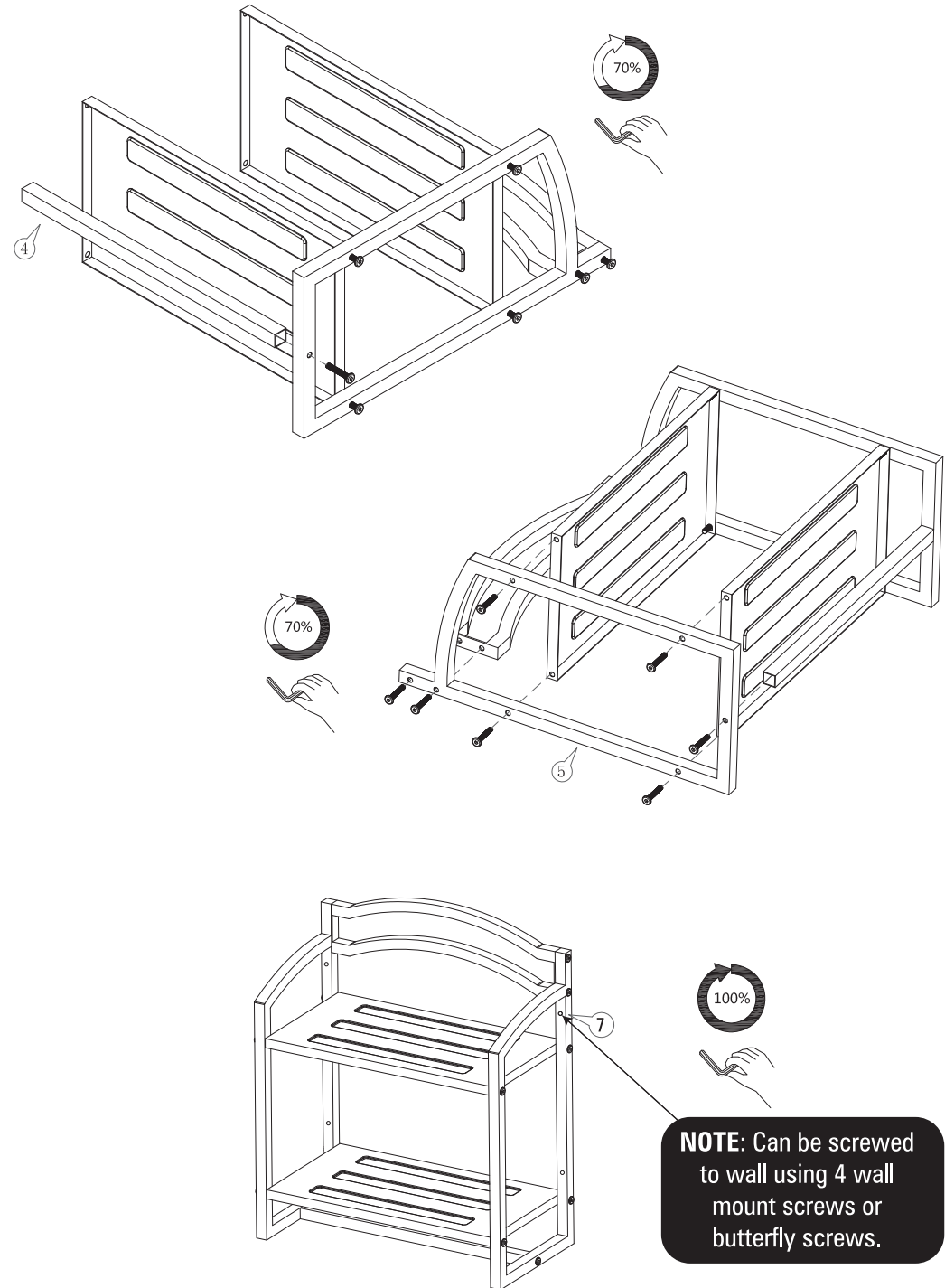
Assembly

1. Attach the header panel (2) to the side panel (1) screws, placing screws on the outside of the unit.
2. Attach one of the shelves (3) at the lowest position to the side panel.
3. Repeat step 2 for the remaining shelf (3).
4. Attach towel bar (4) to the side panel.
5. Attach the remaining side panel (5) to the header panel screws placing screws on the outside of the unit, shelves, and towel bar.
6. Tighten all screws.
7. Locate wall studs or use proper wall anchors to attach unit to wall, using 4 wall mount screws or 4 butterfly screws.



NOTE: Finger tighten screws until fully assembled.

Assembly con't



NOTE: Can be screwed to wall using 4 wall mount screws or butterfly screws.