

Thank you for your order!

We appreciate your business. Additional information on your product may be available on our website.



Happy?

Wonderful! We are very glad. Please share your experience with us and others. It helps us know what you like best!

- Review this product at www.householdessential.com.

Search the item # from the home page to find the product. Leave your review under the review tab on the product's page!

- Follow us on Facebook and Instagram!

Customer Service

1-800-922-5524 | 1-314-428-5657
info@householdessential.com

Open Mon-Fri at 8:30 am CT.
Closed all national holidays.



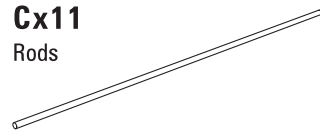
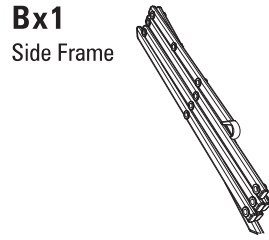
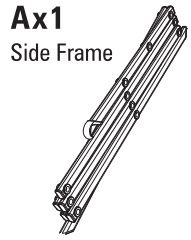
©2019 HOUSEHOLD ESSENTIALS, LLC
Hazelwood, MO 63042
www.householdessential.com

Collapsible Clothes Dryer

5119-1

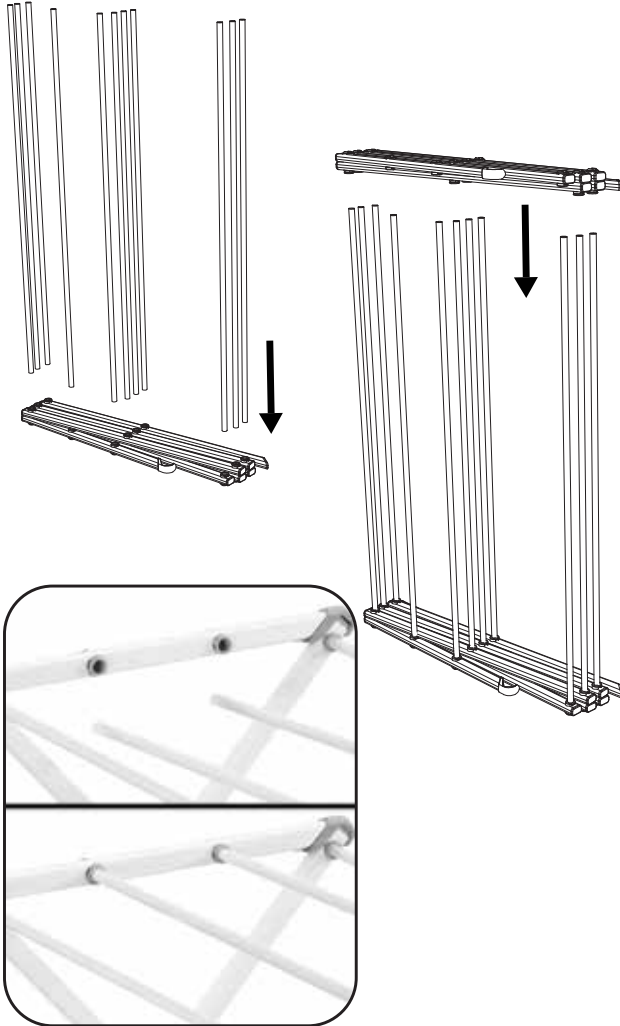


Parts

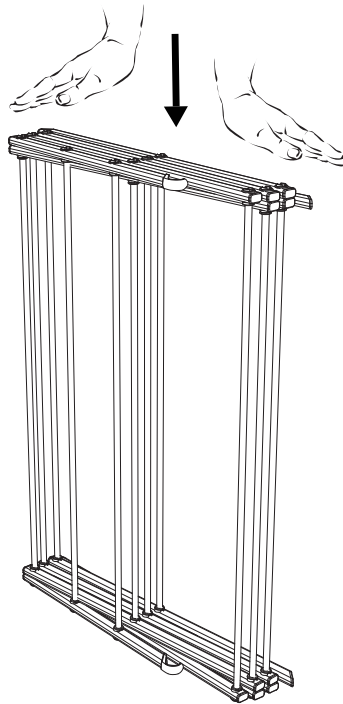


Assembly

- 1 Place side frame (A or B) on floor and push rods (C) into side frame plastic connectors. Assure that rods are firmly in place before moving to the next step.



Take side frame (A or B) and place it over rods (C) making sure they align with the plastic connectors. Press firmly to connect.



Assembly con't

- 2 Open dryer and secure the top to the side frames (A and B) as shown below.

