

Thank you for your order!

We appreciate your business. Additional information on your product may be available on our website.



Happy?

Wonderful! We are very glad. Please share your experience with us and others. It helps us know what you like best!

- Review this product at www.householdessential.com.

Search the item # from the home page to find the product. Leave your review under the review tab on the product's page!

- Follow us on Facebook and Instagram!

Customer Service

1-800-922-5524 | 1-314-428-5657
info@householdessential.com

Open Mon-Fri at 8:30 am CT.
Closed all national holidays.



©2017 HOUSEHOLD ESSENTIALS, LLC
Hazelwood, MO 63042
www.householdessential.com

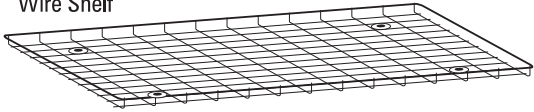
Over-The-Washer Shelf 05100



Parts

Ax1

Wire Shelf

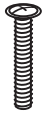


Bx2

Adjustable arm



Cx4
Screw



Dx4
Bolt



Ex4
Washer

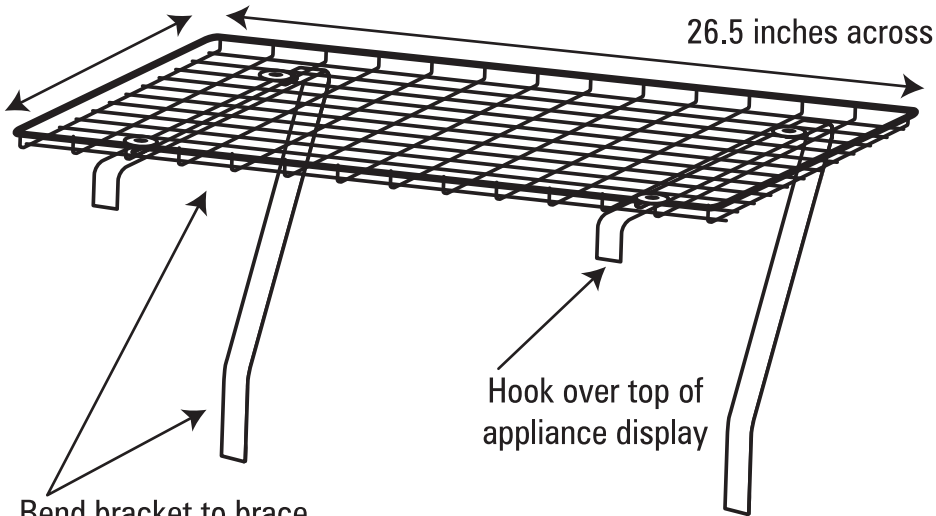


WARNING: This shelf fits appliances with a rear display panel **ONLY**.

SET UP Requirements*

10 inches behind washer or dryer

26.5 inches across



Bend bracket to brace lower end on the back of appliance

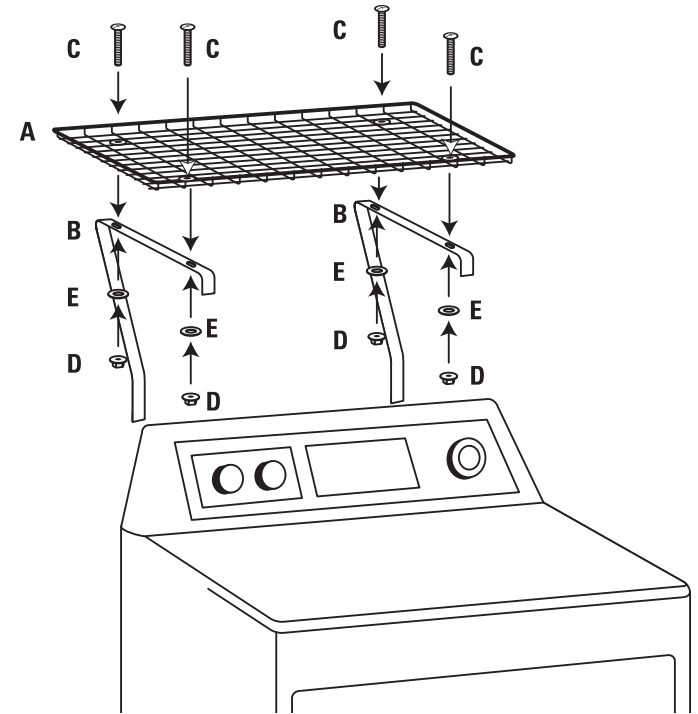
Hook over top of appliance display

***WILL NOT** fit all washers/dryers. Requires appliances with rear display panels and 10" clearance behind them. Brackets hook onto panel and brace against back of appliance.

Assembly

1

Make sure there is 10 INCHES OF SPACE between the wall and appliance. Attach shelf (A) to brackets (B) with screws (c). Secure from behind with washer and bolt (E and D). Hook onto appliance display. **ADJUST THE BEND** in the brackets so that the shelf is level **AND** the end of the brackets rest against the back of the appliance.



2

Bend brackets to level shelf and brace against back of appliance.

