

Thank you for your order!

We appreciate your business. Additional information on your product may be available on our website.



Happy?

Wonderful! We are very glad. Please share your experience with us and others. It helps us know what you like best!

- Review this product at www.HHEstore.com.

Search the item # from the home page to find the product. Leave your review under the review tab on the product's page!

- Follow us on Facebook and Instagram!

Customer Service

1-800-922-5524 | 1-314-428-5657
info@householdessential.com

Open Mon-Fri at 8:30 am CT.
Closed all national holidays.



©2020 HOUSEHOLD ESSENTIALS, LLC
Hazelwood, MO 63042
www.householdessential.com

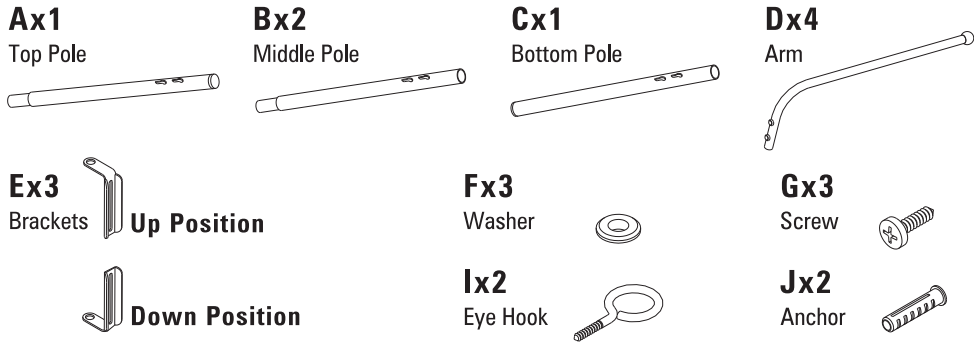
12/2019

Hinge-it® Clutterbuster Collection



Instructions and installation for the
H12001 | H12003 Hinge-it Clutterbuster.
H12101 Hinge-it Valet Plus.

Parts



Assembly

Hinge Mount

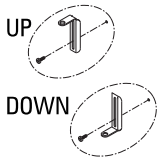
assembly

1. Attach towel bars to upright poles.
Align knobs on towel bars with holes in upright poles. Push in and down to anchor pieces together.

2. Connect upright poles.
Start from the bottom and assemble going up.

3. Attach mounting brackets.
Measure distance between tops of **first** and **last** door hinge. Match to range below and attach first and last brackets as directed. Finger tighten screws.

53.5" - 60": down; up
58.5" - 61": both up
61" - 66.5": up; down



mounting

4. Remove pin from door hinge.

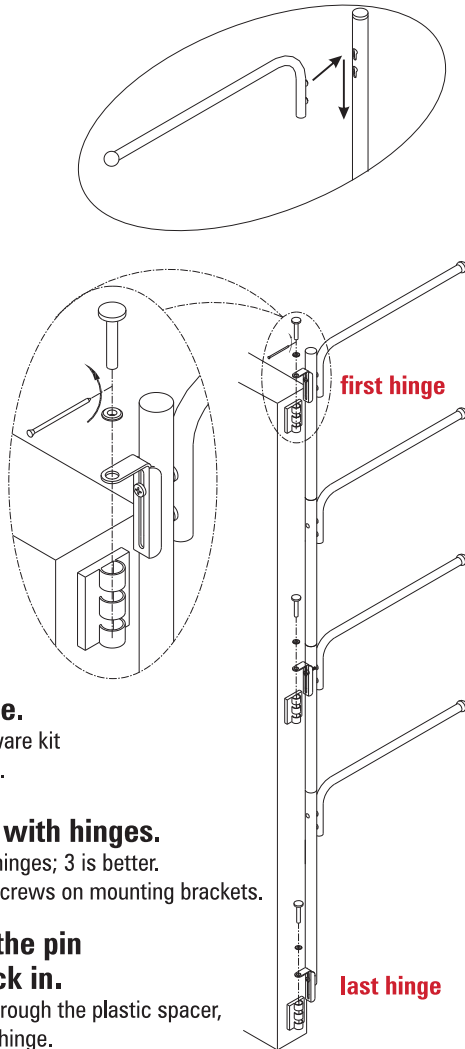
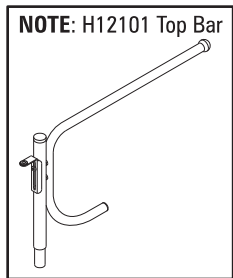
Use the nail in the hardware kit to help if the pin is stuck.

5. Align brackets with hinges.

You will need at least 2 hinges; 3 is better. Assure fit and tighten screws on mounting brackets.

6. Put spacer on the pin and put pin back in.

Hinge pin should pass through the plastic spacer, metal bracket, and door hinge.

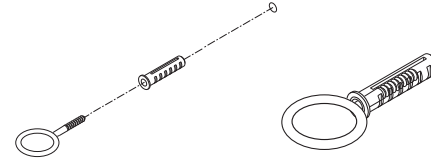


Assembly con't

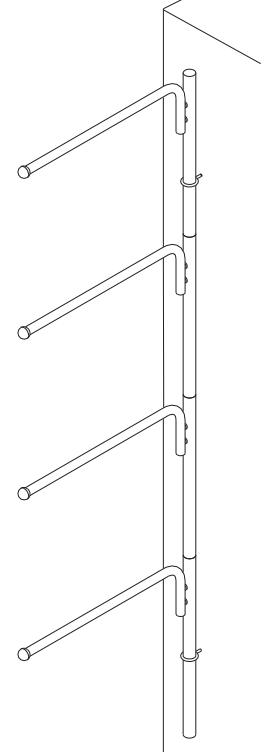
Wall Mount

1. Attach towel bars to upright poles.
Align knobs on towel bars with holes in upright poles. Push in and down to anchor pieces together.

2. Pre-drill holes in the wall.
If needed, insert drywall anchors. Screw in eye hooks.



3. Insert top and bottom upright poles through eye hooks. Connect with remaining upright poles.
Raise or lower organizer to allow pieces to connect.



Easy Fit

Measure this from top of first hinge to top of last hinge.

