

Thank you for your order!

We appreciate your business. Additional information on your product may be available on our website.



Happy?

Wonderful! We are very glad. Please share your experience with us and others. It helps us know what you like best!

- Review this product at www.HHEstore.com.

Search the item # from the home page to find the product. Leave your review under the review tab on the product's page!

- Follow us on Facebook and Instagram!

Customer Service

1-800-922-5524 | 1-314-428-5657
info@householdessential.com

Open Mon-Fri at 8:30 am CT.
Closed all national holidays.



Not happy?

Please give our St. Louis customer service a call at 1-800-922-5524 or info@householdessential.com. We are here to help.

- Missing parts?
- Having trouble with assembly?



Side Table

8083-1

8094-1

8100-1

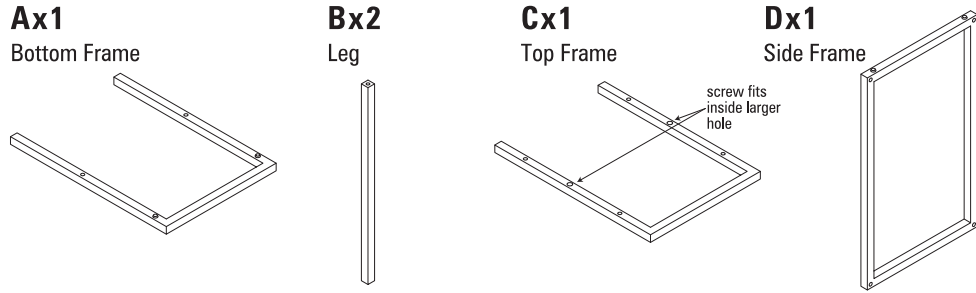
8113-1

8124-1



©2021 HOUSEHOLD ESSENTIALS, LLC
Hazelwood, MO 63042
www.householdessential.com

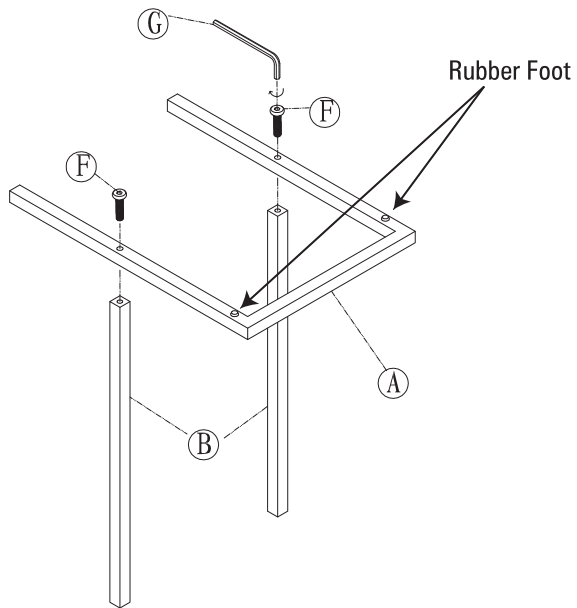
Parts



NOTE: Finger tighten screws until fully assembled.

Assembly

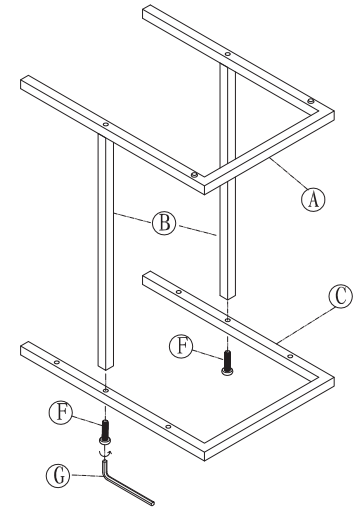
- 1** Attach legs (B) to bottom frame (A) using screws (F).



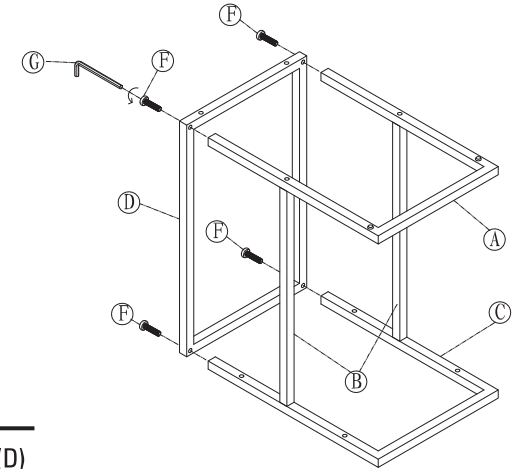
Assembly con't

- 2** Then attach top frame (C) to the other end of legs (B) using screws (F).

Note: screw (F) must recess into wider hole on top frame (C). This will allow the top (E) to sit flush on top frame (C).



- 3** Attach side frame (D) to the open end of the bottom frame (A) and top frame (C) using screws (F).



- 3** Attach table top (E) to the top frame (D) using screws (F).

