

Thank you for your order!

We appreciate your business. Additional information on your product may be available on our website.



Happy?

Wonderful! We are very glad. Please share your experience with us and others. It helps us know what you like best!

- Review this product at www.householdessential.com.

Search the item # from the home page to find the product. Leave your review under the review tab on the product's page!

- Follow us on Facebook and Instagram!

Customer Service

1-800-922-5524 | 1-314-428-5657
info@householdessential.com

Open Mon-Fri at 8:30 am CT.
Closed all national holidays.



©2017 HOUSEHOLD ESSENTIALS, LLC
Hazelwood, MO 63042
www.householdessential.com



Not happy?

Please give our St. Louis customer service a call at 1-800-922-5524. We are here to help.

- Missing parts?
- Having trouble with assembly?

Slate Faux Concrete Low Side Table

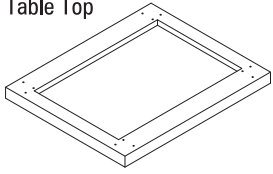
8097-1



Parts

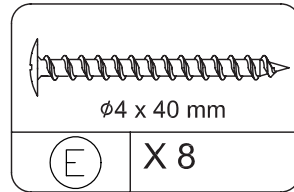
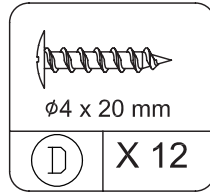
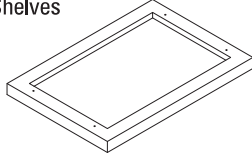
Ax1

Table Top



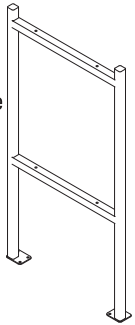
Bx2

Shelves



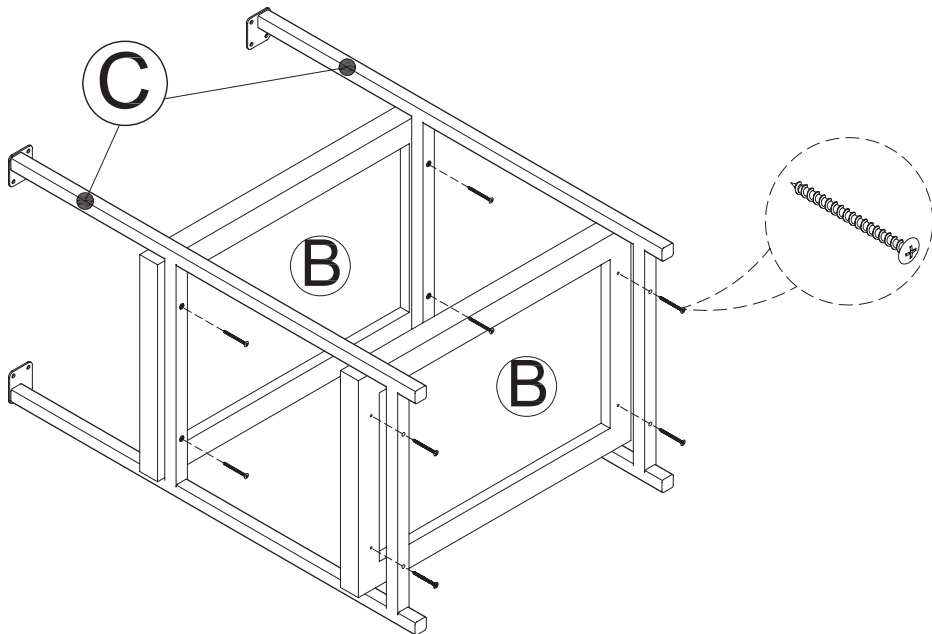
Cx2

Side Frame



Assembly

- 1** Mount table frames (C) to shelves (B) through predrilled holes using long screws (E).



NOTE: Finger tighten screws until fully assembled, unless instructed to "tighten fully".

Assembly cont'd

- 2** Lay table top (A) face down on the floor. Invert assembly and attach frames to table top with short screws (D). Tighten Screws.

