

# Thank you for your order!

We appreciate your business. Additional information on your product may be available on our website.



Happy?

Wonderful! We are very glad. Please share your experience with us and others. It helps us know what you like best!

- Review this product at [www.householdessential.com](http://www.householdessential.com).

Search the item # from the home page to find the product. Leave your review under the review tab on the product's page!

- Follow us on Facebook and Instagram!

## Customer Service

1-800-922-5524 | 1-314-428-5657  
[info@householdessential.com](mailto:info@householdessential.com)

Open Mon-Fri at 8:30 am CT.  
Closed all national holidays.



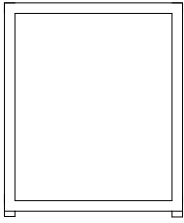
©2017 HOUSEHOLD ESSENTIALS, LLC  
Hazelwood, MO 63042  
[www.householdessential.com](http://www.householdessential.com)

# Ashwood Low Side Table 8080-1



## Parts

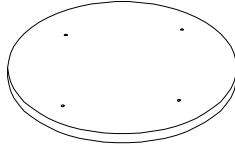
**Ax1**  
Closed  
Frame



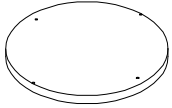
**Bx2**  
Open  
Frame



**Cx1**  
Table Top



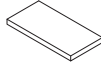
**Dx1**  
Shelf



**Ex12**  
Screw



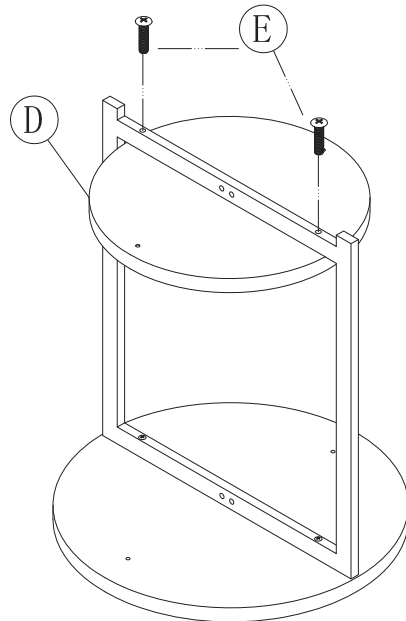
**Fx4**  
Foot Pad



## Assembly

**1** Attach closed frame (A) to the table top (C) with screws (E).

Insert shelf (D) into closed frame and attach frame to shelf with screws (E).



## Assembly cont'd

**2** Attach open frame (B) to closed frame (A), table top and shelf with screws (E).

Snap foot pads (F) into place.

Tighten down all screws.

