

Thank you for your order!

We appreciate your business. Additional information on your product may be available on our website.



Happy?

Wonderful! We are very glad. Please share your experience with us and others. It helps us know what you like best!

- Review this product at www.HHEstore.com.

Search the item # from the home page to find the product. Leave your review under the review tab on the product's page!

- Follow us on Facebook and Instagram!

Customer Service

1-800-922-5524 | 1-314-428-5657
info@householdessential.com

Open Mon-Fri at 8:30 am CT.
Closed all national holidays.



Not happy?

Please give our St. Louis customer service a call at 1-800-922-5524. We are here to help.

- Missing parts?
- Having trouble with assembly?



5-Shelf Storage Tower

- 8075-1 - Ashwood
- 8095-1 - Slate
- 8108-1 - Black
- 8135-1 - Walnut



Parts

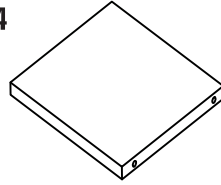
Ax2

Side Frame



Bx4

Shelf



Cx4
Feet



Dx16
Screw

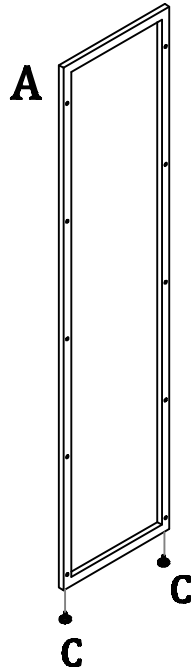


Allen Wrench



Assembly

1 Attach feet (C) to side frames (A).



WARNING

Attach the unit to the wall with the Tipping Restraint Kit hardware. Follow the instructions printed on restraint kit's bag to install.

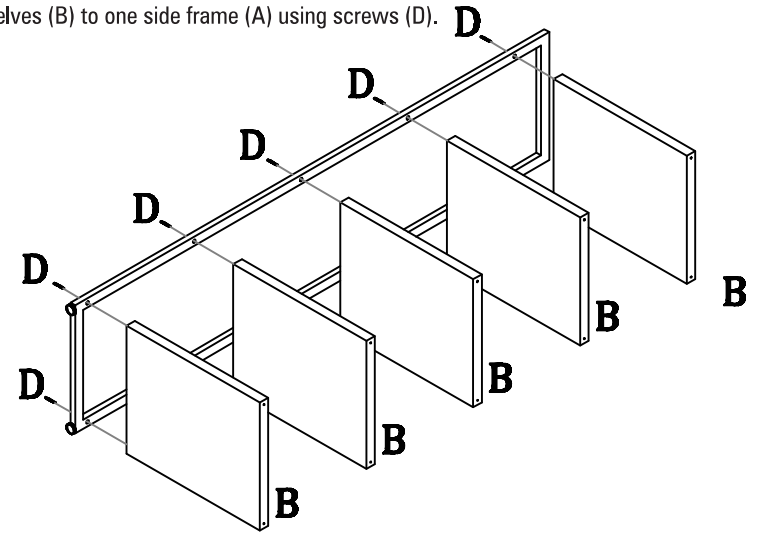
Serious or fatal crushing injuries can occur from furniture's tipping over. To help prevent tipping:

- Avoid climbing on or hanging on product.
- Unless specifically designed to accommodate, do not set TVs or other heavy objects on top of this product.
- Place heaviest items in the lowest position possible.
- Secure product to the wall with tipping-restraint.

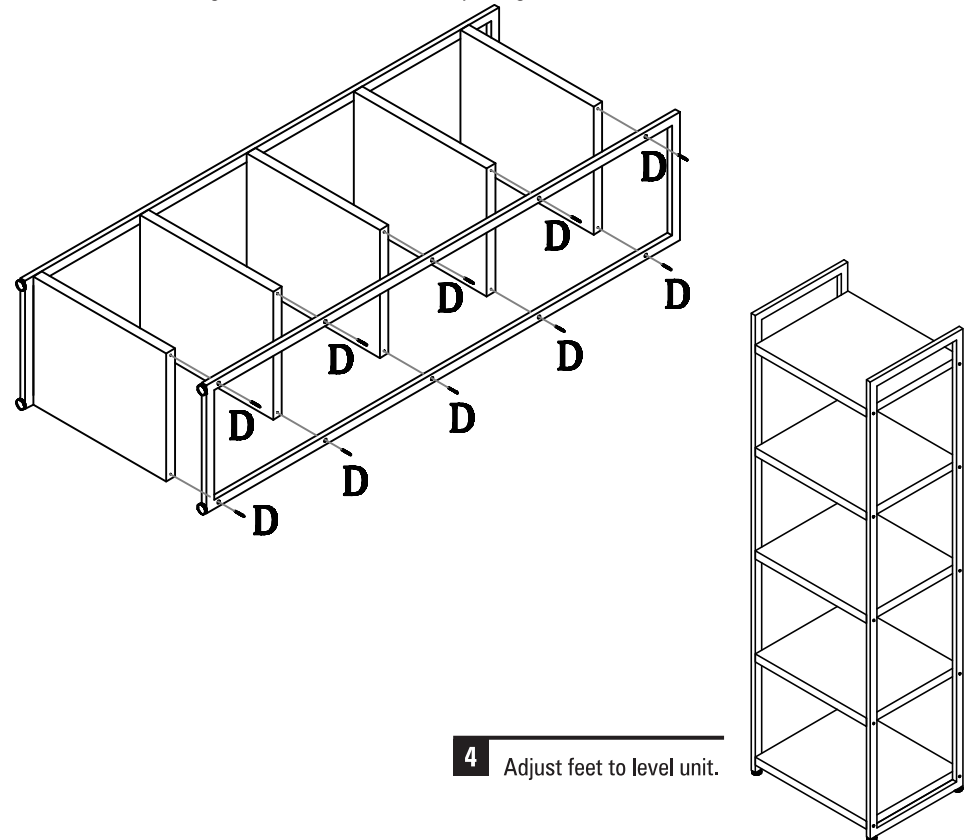
The use of tipping restraints may only reduce, not eliminate, the risk of tipping over.

Assembly cont'd

2 Attach shelves (B) to one side frame (A) using screws (D).



3 Attach remaining side frame (A) to assembly using screws (D).



4 Adjust feet to level unit.