

Thank you for your order!

We appreciate your business. Additional information on your product may be available on our website.



Happy?

Wonderful! We are very glad. Please share your experience with us and others. It helps us know what you like best!

- Review this product at www.HHEstore.com.

Search the item # from the home page to find the product. Leave your review under the review tab on the product's page!

- Follow us on Facebook and Instagram!

Customer Service

1-800-922-5524 | 1-314-428-5657
info@householdessential.com

Open Mon-Fri at 8:30 am CT.
Closed all national holidays.



©2020 HOUSEHOLD ESSENTIALS, LLC
Hazelwood, MO 63042
www.householdessential.com



Not happy?

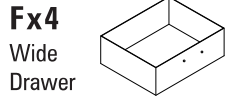
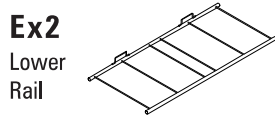
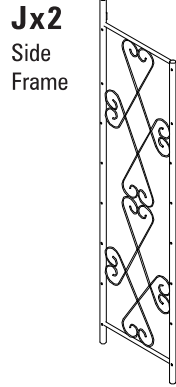
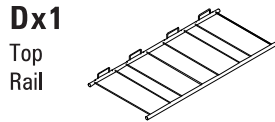
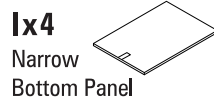
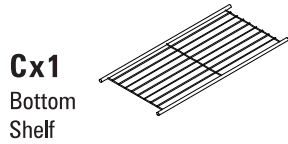
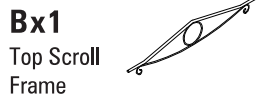
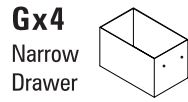
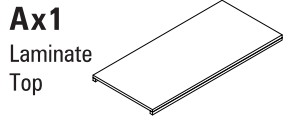
Please give our St. Louis customer service a call at 1-800-922-5524 or info@householdessential.com. We are here to help.

- Missing parts?
- Having trouble with assembly?

8-Drawer Chest, Black 8046-1



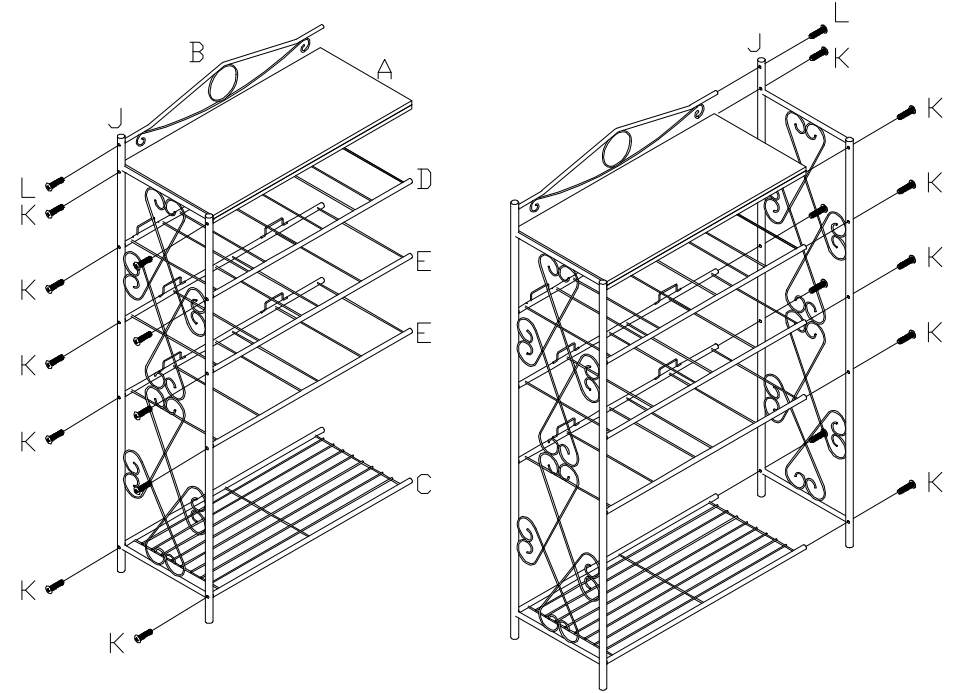
Parts



Assembly

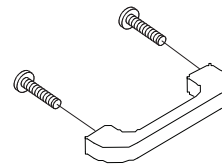
1

1. Lay 1 of the side panels (J) on its side and attach the laminate top (A), 1 upper (D), and 2 lower shelf rails (E) and bottom shelf (C) using 10 screws (K), 2 screws in each.
2. Prop the remaining side panel (J) along the open end of the rails and attach it with the remaining 10 screws (K).
3. Screw top scroll frame (B) into side frame (J) using 2 screws (L).

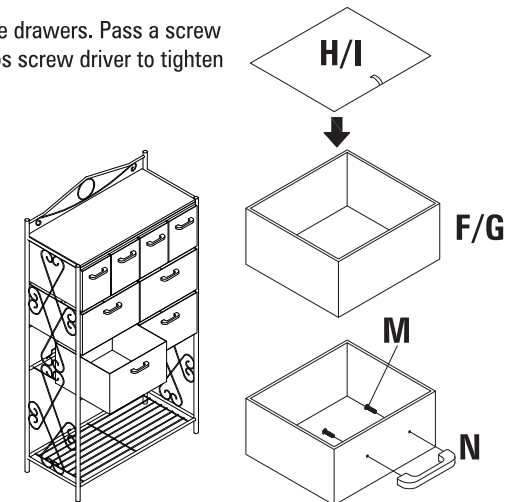


2

1. Unfold drawers (G/F) and place bottom panel (I/H) into the bottom of the drawers.
2. Align the handles (N) with the front of the drawers. Pass a screw (M) through into the handle. Use a Phillips screw driver to tighten screw. Repeat for all handles.
3. Insert drawers into chest.



NOTE: Screws may already be screwed into handles.



WARNING

Attach the unit to the wall with the Tipping Restraint Kit hardware. Follow the instructions printed on restraint kit's bag to install.

Serious or fatal crushing injuries can occur from furniture's tipping over. To help prevent tipping:

- Avoid climbing on or hanging on product.
- Unless specifically designed to accommodate, do not set TVs or other heavy objects on top of this product.
- Place heaviest items in the lowest position possible.
- Secure product to the wall with tipping-restraint.

The use of tipping restraints may only reduce, not eliminate, the risk of tipping over.

NOTE: Finger tighten screws until fully assembled, unless instructed to "tighten fully".