

# Thank you for your order!

We appreciate your business. Additional information on your product may be available on our website.



Happy?

Wonderful! We are very glad. Please share your experience with us and others. It helps us know what you like best!

- Review this product at [www.HHEstore.com](http://www.HHEstore.com).

Search the item # from the home page to find the product. Leave your review under the review tab on the product's page!

- Follow us on Facebook and Instagram!

## Customer Service

1-800-922-5524 | 1-314-428-5657  
[info@householdessential.com](mailto:info@householdessential.com)

Open Mon-Fri at 8:30 am CT.  
Closed all national holidays.



Not happy?

Please give our St. Louis customer service a call at 1-800-922-5524 or [info@householdessential.com](mailto:info@householdessential.com). We are here to help.

- Missing parts?
- Having trouble with assembly?

### **WARNING**

Attach the unit to the wall with the Tipping Restraint Kit hardware. Follow the instructions printed on restraint kit's bag to install.

Serious or fatal crushing injuries can occur from furniture's tipping over. To help prevent tipping:

- Avoid climbing on or hanging on product.
- Unless specifically designed to accommodate, do not set TVs or other heavy objects on top of this product.
- Place heaviest items in the lowest position possible.
- Secure product to the wall with tipping-restraint.

The use of tipping restraints may only reduce, not eliminate, the risk of tipping over.

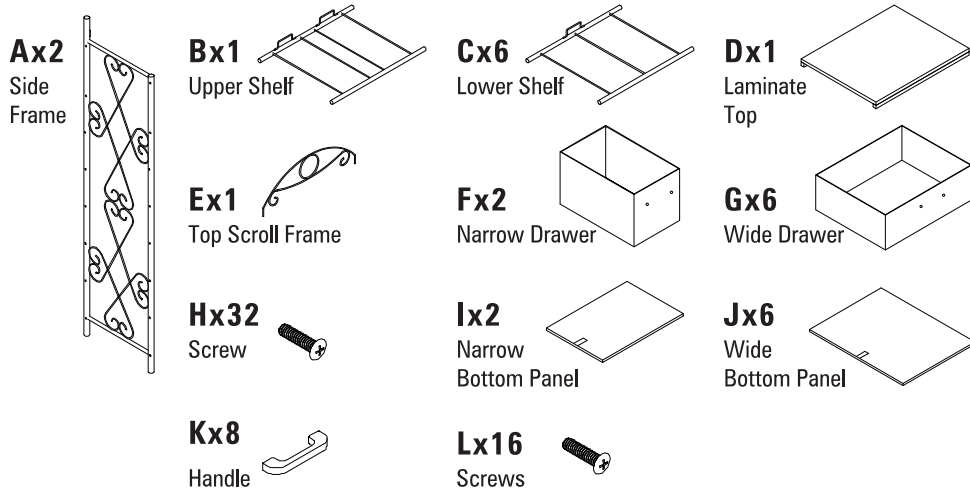
# 8-Drawer Tower, Black

## 8044-1



©2020 HOUSEHOLD ESSENTIALS, LLC  
Hazelwood, MO 63042  
[www.householdessential.com](http://www.householdessential.com)

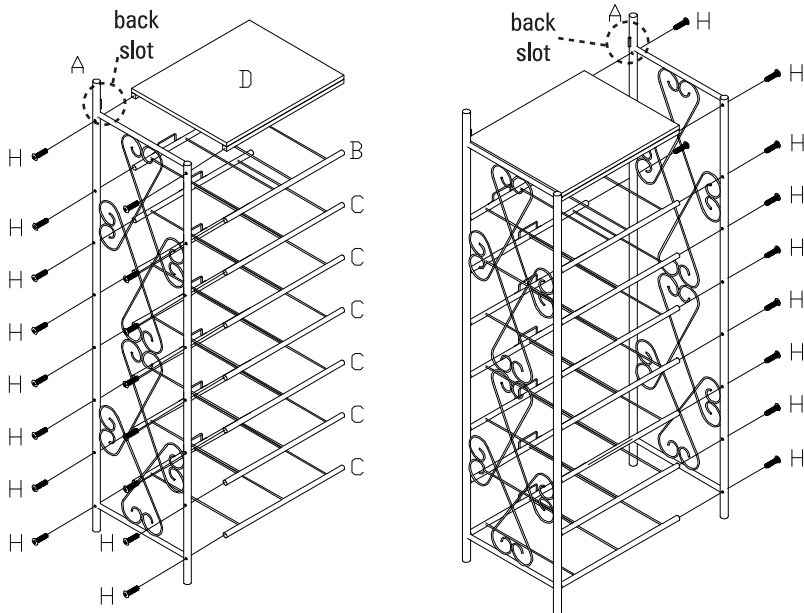
## Parts



**NOTE:** Finger tighten screws until fully assembled, unless instructed to "tighten fully".

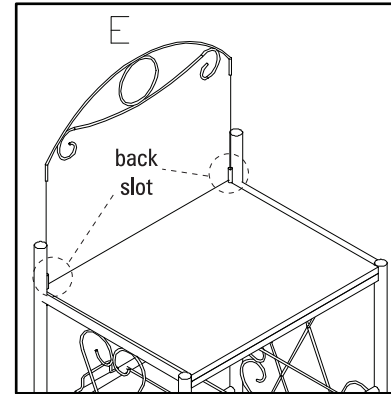
## Assembly

- 1** **NOTE: Assemble frames so the back slots face each other.**
1. Lay 1 of the side frames (A) on its side and attach the 1 upper (B) and 6 lower shelf rails (C) and laminate top (D) using 16 screws (H), 2 screws in each.
  2. Prop the remaining side frame (A) along the open end of the rails and attach it with the remaining 16 screws.

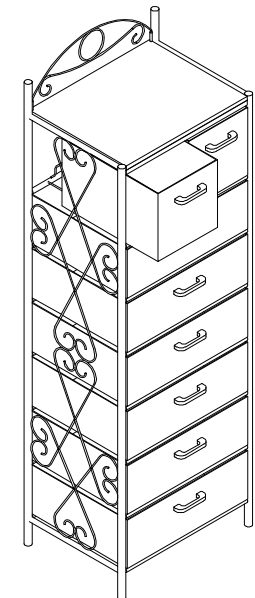


## Assembly cont'd

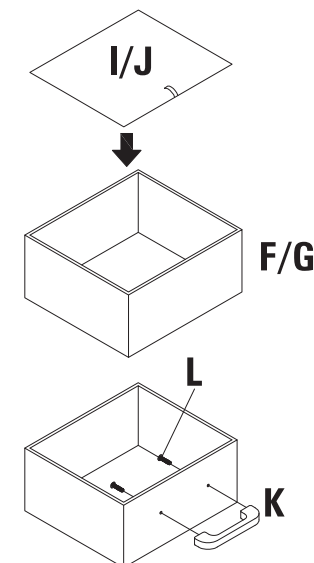
- 2** Slide the top scroll frame (E) into the back slots of the side frame.



- 4** Slide assembled drawers into the frame. The 2 narrow green drawers (F) fit on the upper shelf rail (B).



- 3**
1. Unfold the 2 narrow green drawers (F) and place bottom panel (I) into the bottom of the drawer.
  2. Unfold the remaining 6 drawers (G) and insert bottom panels (J) into the bottom of the drawers.
  3. Align the handles (K) with the front of the drawers. Pass a screw (L) through into the handle. Use a Phillips screw driver to tighten screw. Repeat for all handles.



**NOTE:** Screws may already be screwed into handles.