

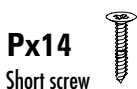
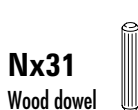
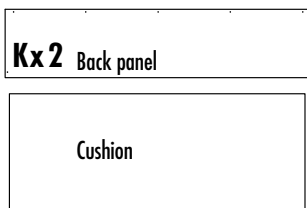
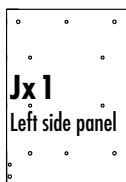
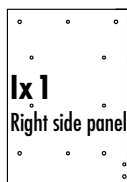
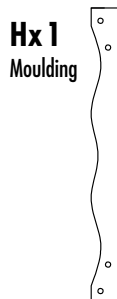
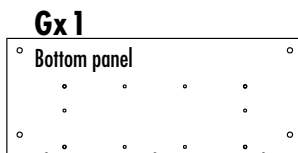
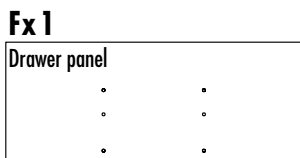
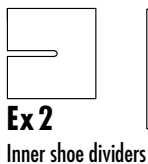
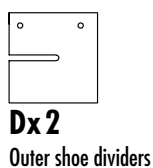
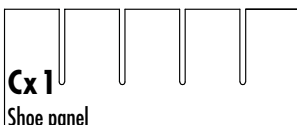
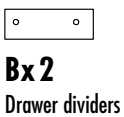


**Entryway
Shoe Storage
Bench**

8018-1

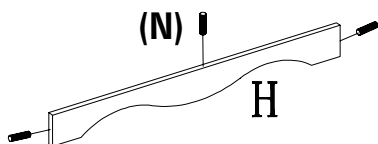
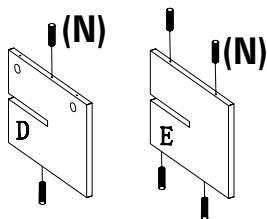
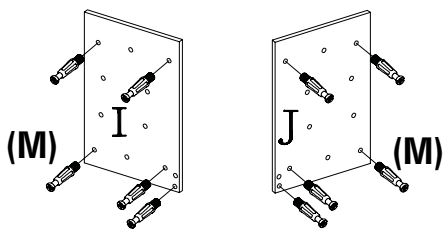
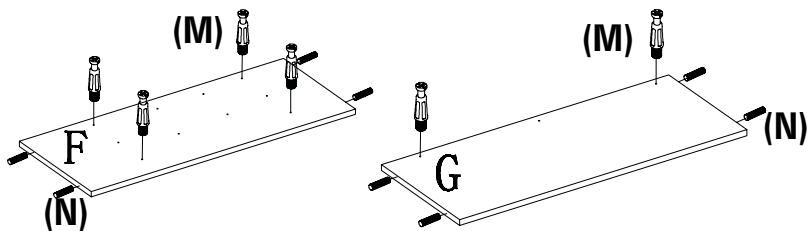
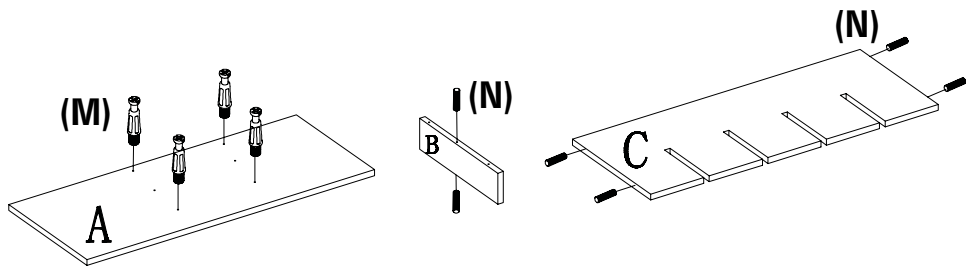
8024-1

Parts - Identify parts before assembling.



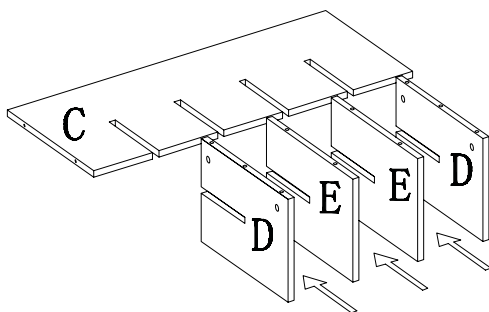
Assembly

1 Insert hardware into assembly pieces as shown.

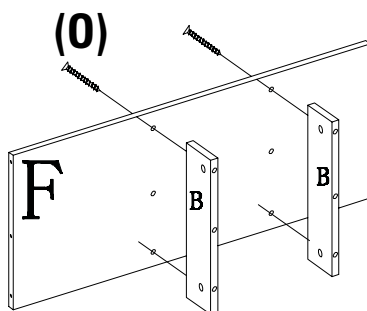


Assembly cont'd

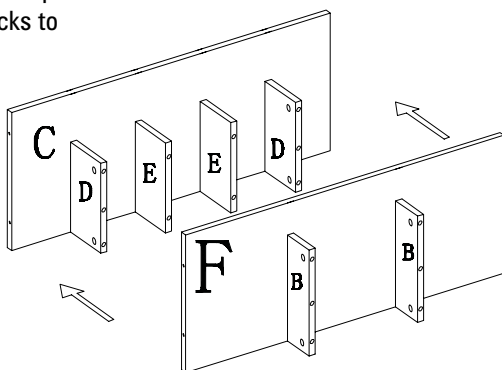
- 2** Insert shoe dividers (D/E) into slotted shoe panel (C) so that panels are in the following order: D, E, E, D



- 3** Attach drawer dividers (B) to the top side of drawer panel (F) using long screws (O). The top side of panel F has the wider-set holes.

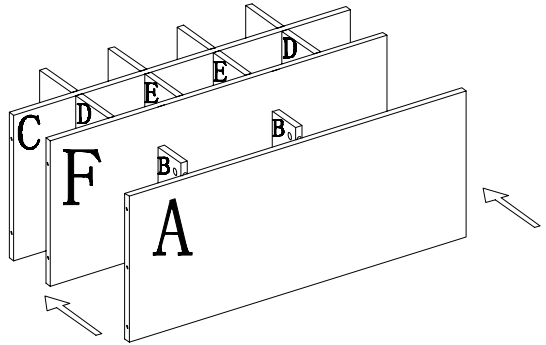


- 4** Insert 4 cam locks (L) into the side predrilled holes on shoe dividers (D). Attach drawer panel (F) to shoe dividers (D/E). Turn cam locks to lock assembly.

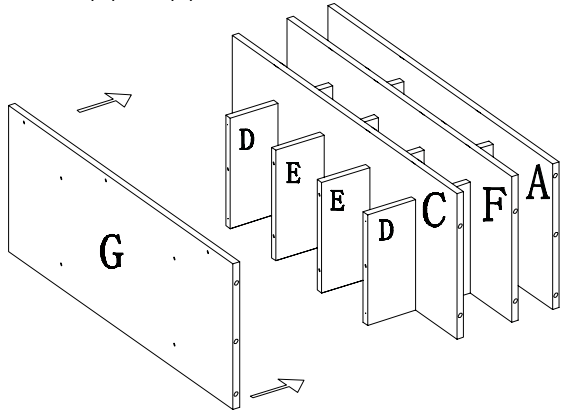


5

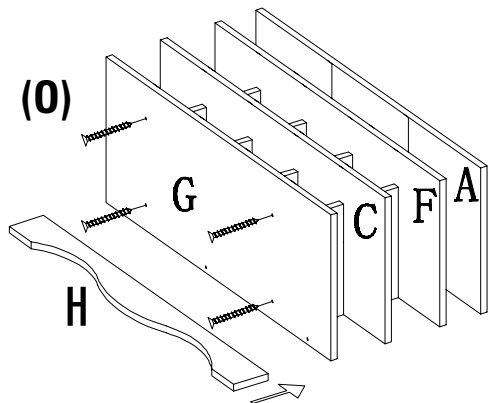
Insert 4 cam locks (L) into the side predrilled holes in (B). Attach top panel (A) to drawer dividers (B). Turn cam locks to lock assembly.

**6**

Attach bottom panel (G) to shoe dividers (D) and (E).

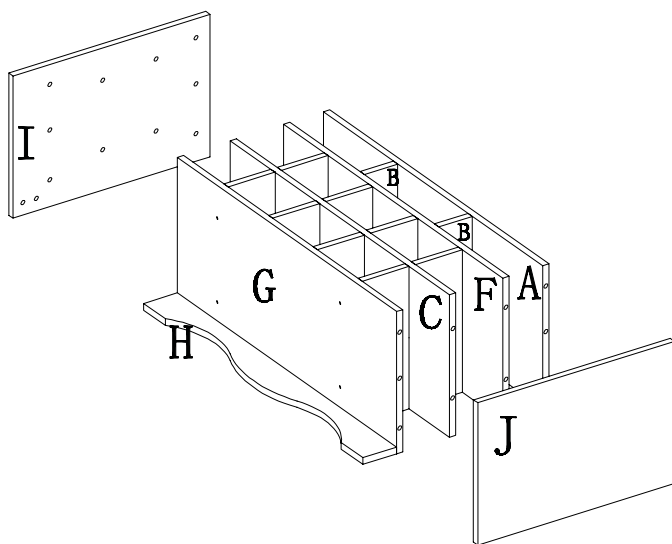
**7**

Screw bottom panel (G) into place using long screws (O). Insert 2 cam locks (L) into predrilled holes in moulding (H). Attach moulding to bottom panel (G). Turn cam locks to lock assembly together.

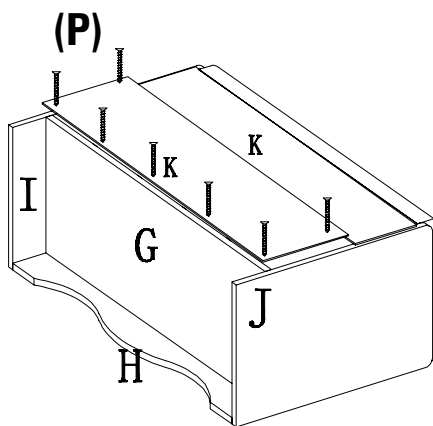


Assembly cont'd

- 8** Insert 10 cam locks (L) into predrilled holes on the sides of assembly that line up with cam screws in side panels (I/J). Attach side panels (I/J) to assembly. Turn cam locks (L) in assembly to lock assembly together.

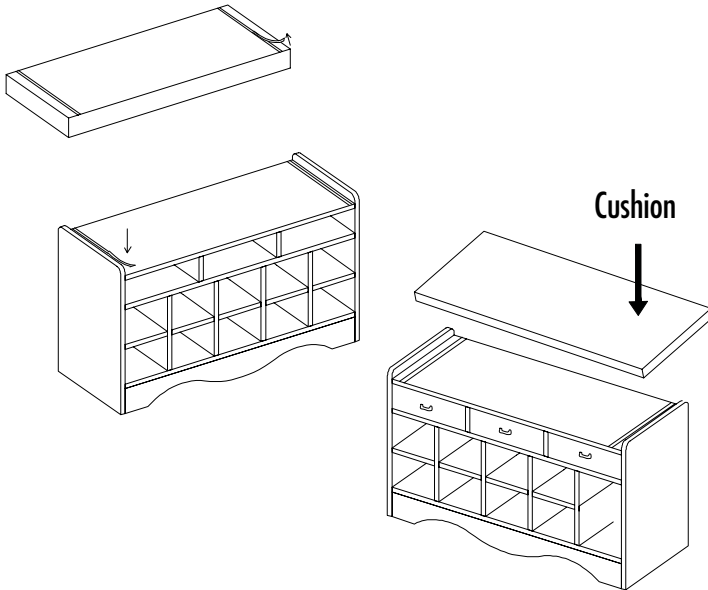


-
- 9** Attach back panels (K) using short screws (P).



10

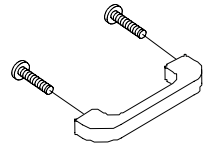
Remove adhesive backing from hook and loop strips on the underside of cushion. Position on the top side of top panel (A) and press into place.

**11**

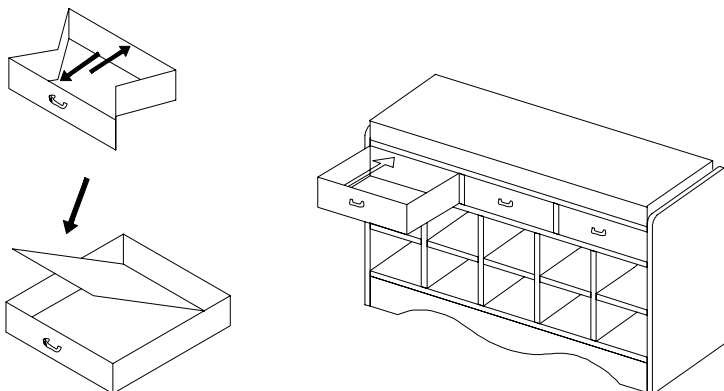
Unfold drawers and lay bottom panel inside as a liner / base.

Attach handles: fit handles (S) on drawer fronts and secure from inside the drawer with screw (R).

Insert drawer into cubby. FINISHED.



NOTE: Screws may already be screwed into handles.



Thank you for your order!

We appreciate your business. Additional information on your product may be available on our website.



Happy?

Wonderful! We are very glad. Please share your experience with us and others. It helps us know what you like best!

- Review this product at www.HHEstore.com.

Search the item # from the home page to find the product. Leave your review under the review tab on the product's page!

- Follow us on Facebook and Instagram!



Not happy?

Please give our St. Louis customer service a call at 1-800-922-5524 or info@householdessential.com. We are here to help.

- Missing parts?
- Having trouble with assembly?

Customer Service

1-800-922-5524 | 1-314-428-5657
info@householdessential.com

Open Mon-Fri at 8:30 am CT.
Closed all national holidays.



©2020 HOUSEHOLD ESSENTIALS, LLC
Hazelwood, MO 63042
www.householdessential.com