

Thank you for your order!

We appreciate your business. Additional information on your product may be available on our website.



Happy?

Wonderful! We are very glad. Please share your experience with us and others. It helps us know what you like best!

- Review this product at www.householdessential.com.

Search the item # from the home page to find the product. Leave your review under the review tab on the product's page!

- Follow us on Facebook and Instagram!

Customer Service

1-800-922-5524 | 1-314-428-5657
info@householdessential.com

Open Mon-Fri at 8:30 am CT.
Closed all national holidays.

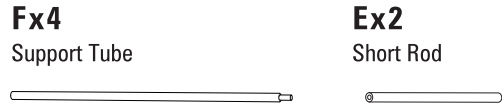
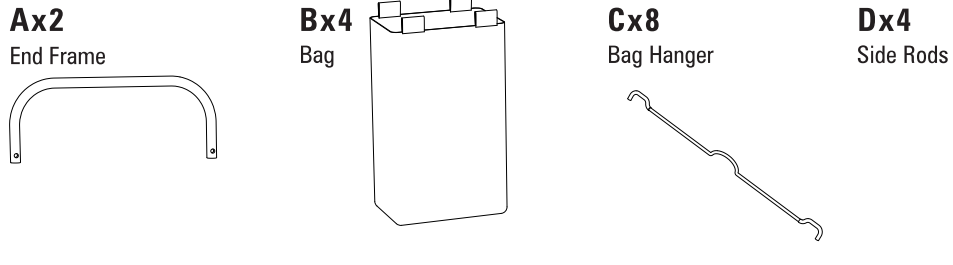


©2019 HOUSEHOLD ESSENTIALS, LLC
Hazelwood, MO 63042
www.householdessential.com

Quad Sorter 7173

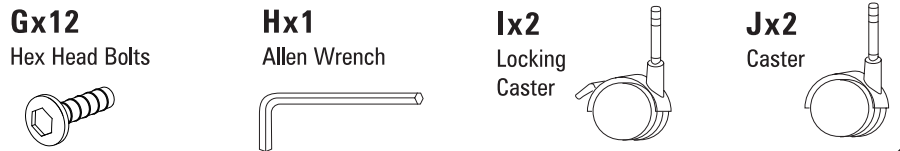


Parts



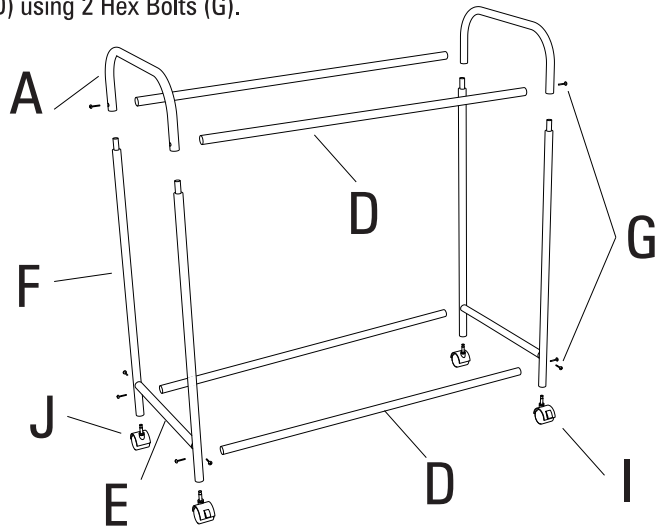
Do not tighten hex bolts completely until all steps are completed.

Parts Bag



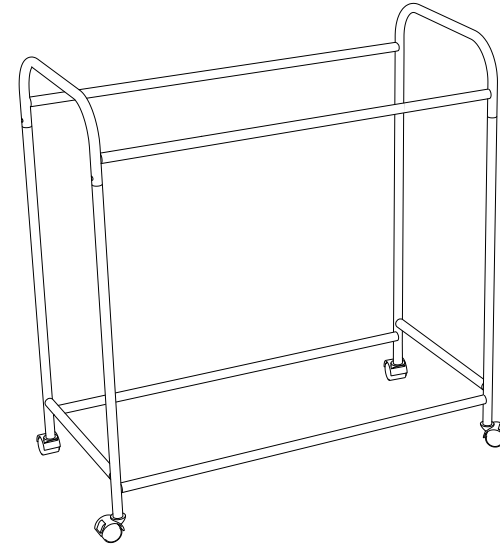
Assembly

- 1** To build end frames using Allen Wrench (H):
Attach 2 Support Rods (F) to 1 Short Rod (E) to using 2 Hex Bolts (G).
Place 1 Top End Frame (A) on to tapered end of Support rods (F),
attach 2 Side Rods (D) using 2 Hex Bolts (G).



Assembly cont'd

- 2** To build end frames using Allen Wrench (H):
Attach 2 Side Rods (D) to the bottom on the end frame using 2 Hex Bolts (G).
Repeat the above steps to build second end frame.
Insert Locking caster (I) and non-locking caster (J) into bottom of side frames.



- 3** Insert Laundry Bag Handles (C) through the sewn loops at the top of Laundry Bag (B).

Hang "Handle Hook" over the top Side Rods (D) of the assembled unit as shown.

