

# Thank you for your order!

We appreciate your business. Additional information on your product may be available on our website.



Happy?

Wonderful! We are very glad. Please share your experience with us and others. It helps us know what you like best!

- Review this product at [www.householdessential.com](http://www.householdessential.com).

Search the item # from the home page to find the product. Leave your review under the review tab on the product's page!

- Follow us on Facebook and Instagram!

## Customer Service

1-800-922-5524 | 1-314-428-5657  
[info@householdessential.com](mailto:info@householdessential.com)

Open Mon-Fri at 8:30 am CT.  
Closed all national holidays.



©2019 HOUSEHOLD ESSENTIALS, LLC  
Hazelwood, MO 63042  
[www.householdessential.com](http://www.householdessential.com)

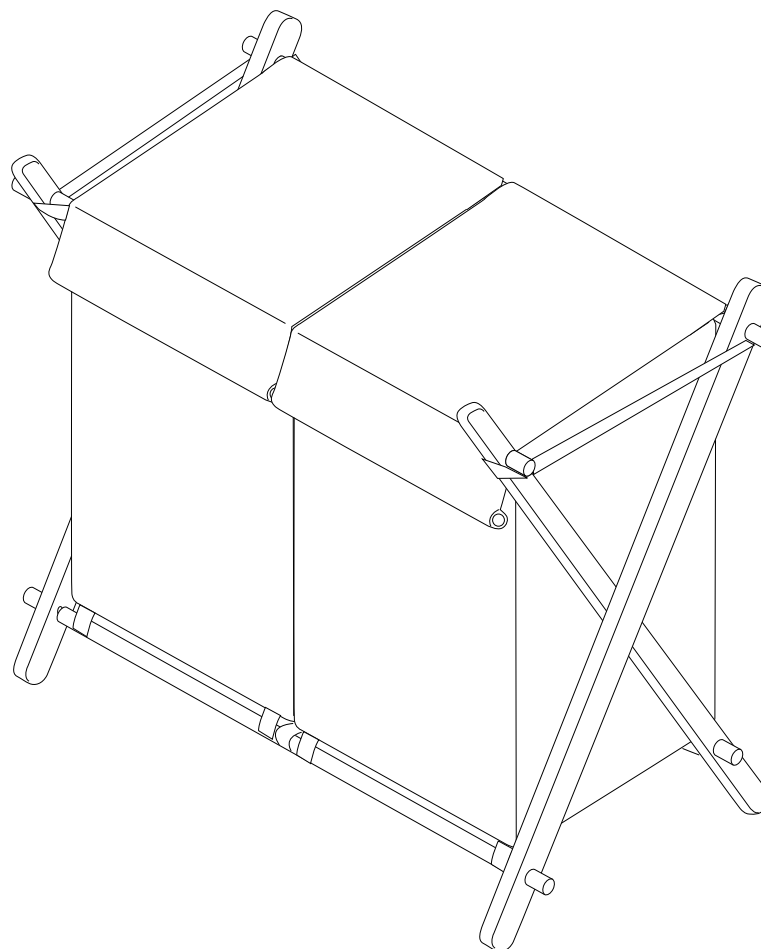


Not happy?

Please give our St. Louis customer service a call at 1-800-922-5524. We are here to help.

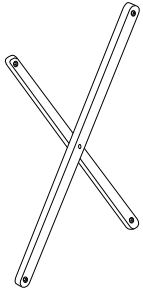
- Missing parts?
- Having trouble with assembly?

# Collapsible Wood X-Frame Double Laundry Hamper Sorter 6788-1



## Parts

**Ax2**  
X-Frame



**Bx2**  
30" Rod



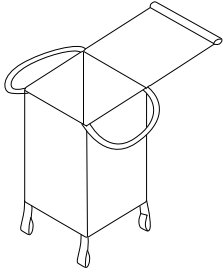
**Cx2**  
31" Rod



**Dx2**  
Dowel Rod



**Ex2**  
Laundry Bag



**Fx8**  
Knobs



**Gx1**  
Hook and Loop Strap

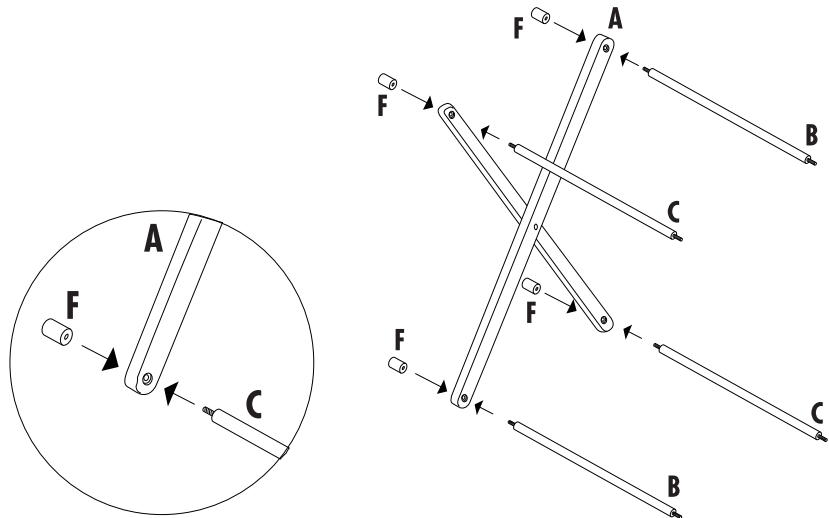


## Assembly

**1** Open one X-frame "A" to position as shown with large holes facing inside.

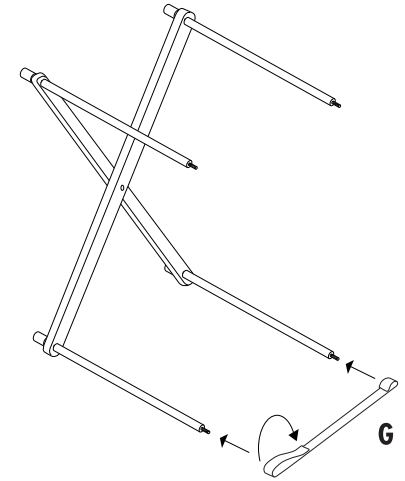
Insert one rod "B" to the large hole on the top "inside" frame and attach using knobs "F" as shown. Repeat this step at the bottom of the "inside" frame.

Insert one rod "C" to the large hole on the top "outside" frame and attach using knobs "F" (as shown in Figure 2). Repeat this step at the bottom of the "outside" frame.

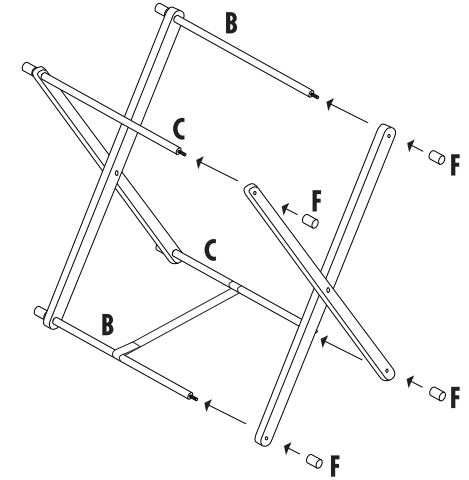


## Assembly con't

**2** Slide loop of support strap "G" over rod "B" at the bottom of "inside" frame. Attach Hook & Loop end of support strap around rod "C" at the bottom on the "inside" frame to keep frame in open position.



**3** Open second X-frame "A" so "inside" of frame aligns with rod "B" and outside aligns with rod "C". Attach frame using remaining knobs.



**4** Secure loop handles at top of laundry bag "E" around outside of frame as shown. Secure hook & loop straps around front and back of top rods. Secure hook & loop straps on bottom of the bag around front and back of bottom rods to secure bag to frame. Pull lid of laundry bag "E" over back rod, slide dowel rod "D" into open hem on front of lid.

