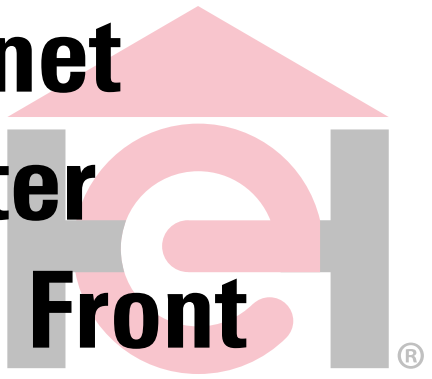


Tilt-out Cabinet Laundry Sorter with Shutter Front

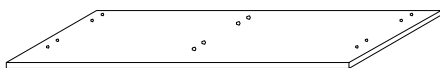
18411-1



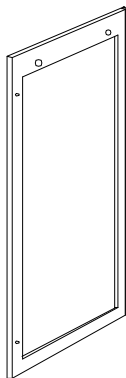
Parts - Identify parts before assembling.



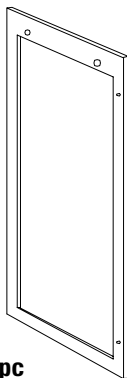
A - 1pc
Cabinet Top Panel



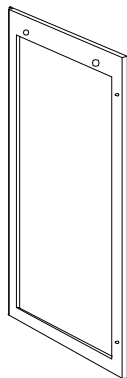
B - 1pc
Cabinet Base Panel



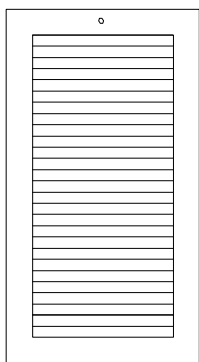
C - 1pc
Left Cabinet Side Panel



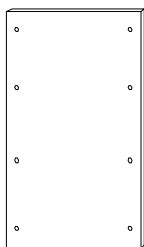
D - 1pc
Center Cabinet Panel



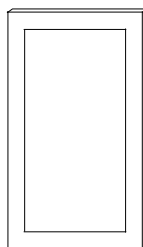
E - 1pc
Right Cabinet Side Panel



F - 2pcs
Front Bin Panels



G - 4pcs
Bin Side Panels



H - 2pcs
Bin Back Panels



I - 4pcs
Bag Handles



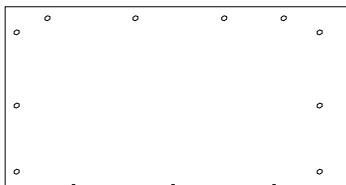
J - 4pcs
Notched Bag Support



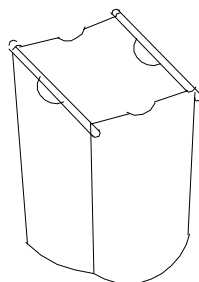
K - 4pcs
Bin Supports



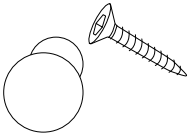
L - 2pcs
Bin Base Panel



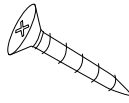
M - 2pcs
Back Panel



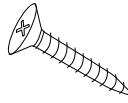
N - 2pcs
Bag



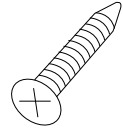
**O - 2pcs
Knob**



P - 23pcs



Q - 52pcs



R - 6pcs



S - 4pcs



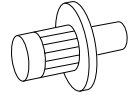
**T - 12pcs
Wood Dowel**



**U - 6pcs
Cam Bolt**



V - 6pcs



W - 4pcs



**X - 1pc
Long Metal
Dowel**



**Y - 2pc
Metal Dowel**

For more information on the Tilt-out Cabinet Laundry Sorter and its accessories, visit our website www.householdessential.com.

Please read the entire instruction booklet prior to assembling your Tilt-out Cabinet Laundry Sorter. Check the parts and tools list below to ensure you have everything to properly install your cabinet hamper. If you are missing parts please do not return to place of purchase, call Household Essentials® at 800.922.5524/314.428.5657 and we will expedite replacement parts.

NOTE:

In order to prevent damage during assembly, it is recommended to assemble with at least 2 people.

Assemble Laundry Bins (1 at a time):

Diagram 1

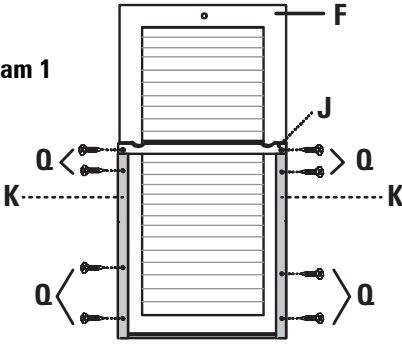


Diagram 1

1. Take 1 Front Panel (F) lay face down. Attach 1 notched bag support (J) to front Panel (F) using 2 screws (Q).
2. With the pre-drilled side holes facing out, attach 2 bin supports (K) to Front Panel (F) by using 6 screws (Q).

Diagram 2

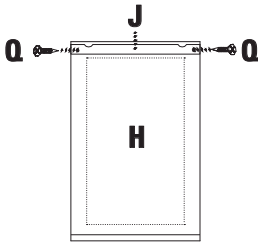


Diagram 2

3. Attach 1 notched bag support (J) to inside of bin back panel (H) using 2 screws (Q).

Diagram 3

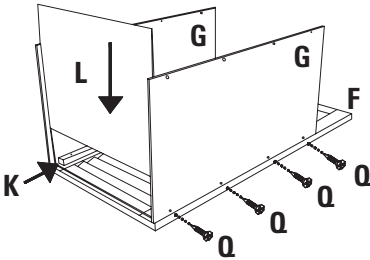


Diagram 3

4. Attach 1 side panel (G) to outside of (K) with grooves aligned using 4 screws (Q). Repeat on other side.
5. Place bin base panel (L) into the groove and slide into place.

Diagram 4

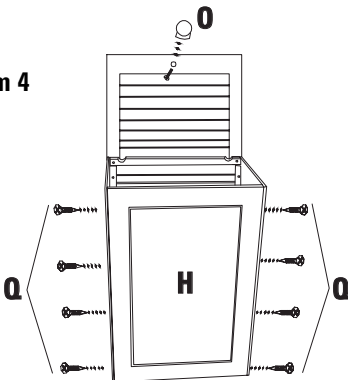


Diagram 4

6. Attached bin back panel (H) to side panels using 8 screws (Q).
7. Attach knob (O) to front panel (F).
8. Repeat steps 1–7 for second laundry bin.
9. Set bins aside.

Assemble Cabinet

Diagram 5

1. Insert 2 cam locks (V) into holes at top of cabinet side panels (C and E) and center panel (D).
2. Place 2 wooden dowels (T) into each panel (C and E). Place dowel (Y) into panel (C and E).
3. Place 2 wooden dowels (T) into panel (D) and place long metal dowel (X) through panel (D).
5. Place 1 metal pivot insert (W) in each panel (C and E) and 2 metal pivot insert (W) on both sides of panel (D).

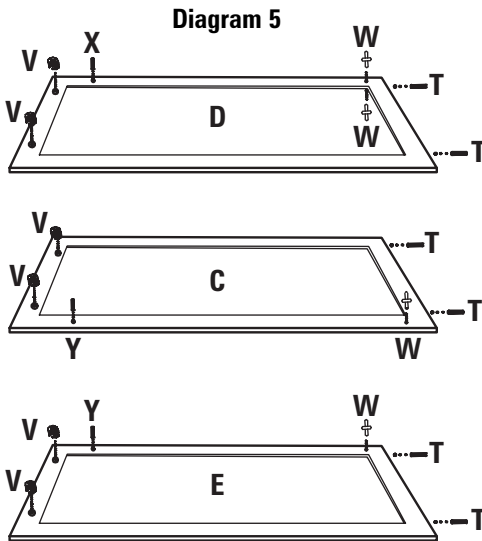
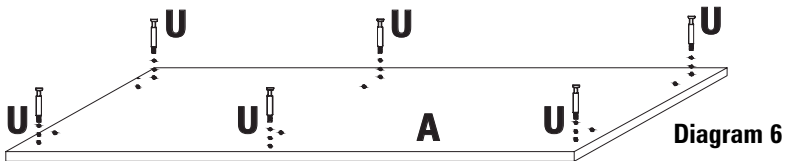


Diagram 6

6. Insert 6 cam bolts (U) into the top (A).



NOTE: Turn the cam bolt screws until they are tight, the shoulder should be against the surface of the part.

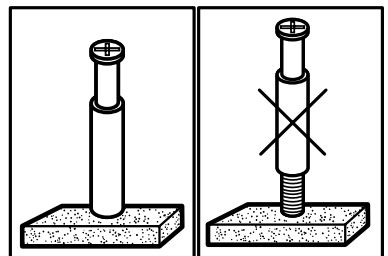


Diagram 7

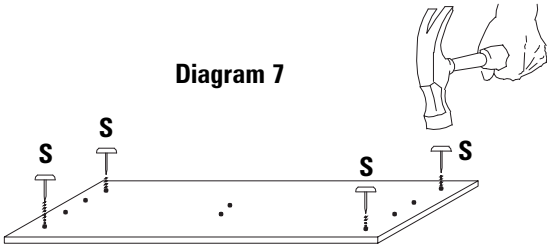


Diagram 7

1. Using a hammer tap in 4 feet (S) to bottom of base panel (B).

Diagram 8

2. Insert cabinet center panel (D) into base panel (B) by lining up the wooden dowels and push into place.
3. Secure the cabinet center panel (D) to cabinet base (B) by using 2 screws (R) from the under side of base panel (see diagram 8) Make sure the metal pivot inserts (W) are at the front of the cabinet. Rivet on base needs to be in the back.

Diagram 8

NOTE: Lay on side. The side of base that has 2" recessed hole is front of cabinet.

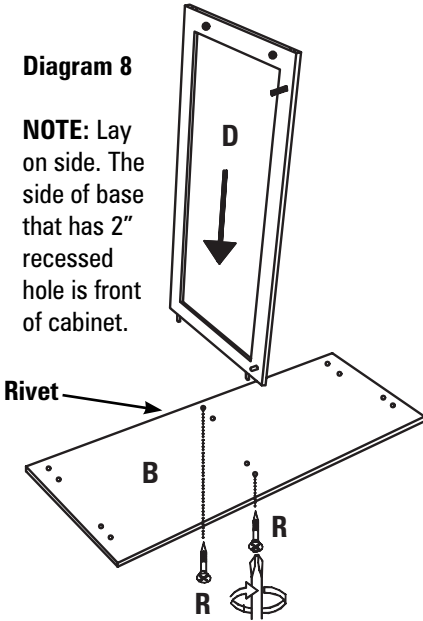


Diagram 9 and 10

4. Take left laundry bins and insert onto metal pivot (W) on center cabinet panel (D)
5. Insert side panel (C) onto base (B) by lining up wooden dowels and push into place, securing laundry bin onto metal pivot (W) at panel base. See diagram 9.
6. Secure side panel (C) to base panel by using 2 screws (R).
7. Repeat steps 4-6 for the right laundry bin and panel (E). See diagram 10.
8. Insert 6 wooden dowels (T) into the top panels (C,D and E) as show on diagram 10.

Diagram 9

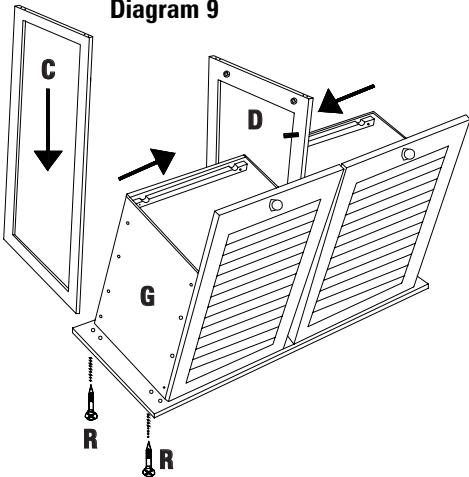


Diagram 10

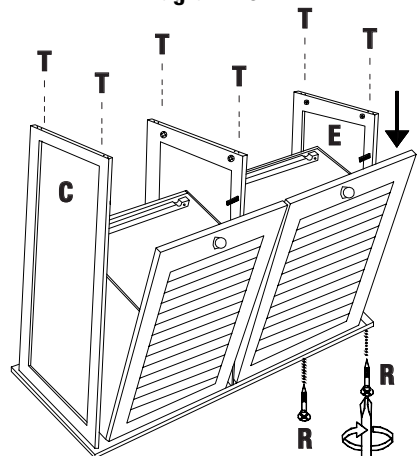


Diagram 11

- Put Top (A) into place on cabinet frame. Be sure to line up the cam bolts with the cam locks and dowels with locating holes. Edge with cutout faces back of bin.
- Tilt left laundry bin forward so it rests on wooden dowels and rotate the cam locks to secure top to frame. Repeat with right laundry bin.

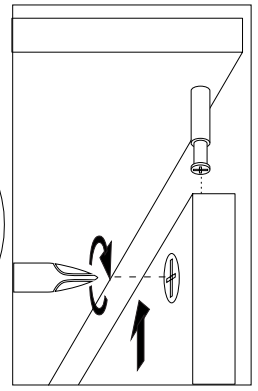
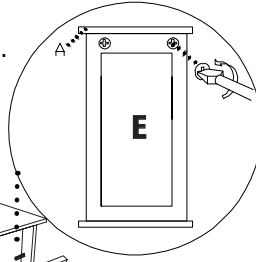
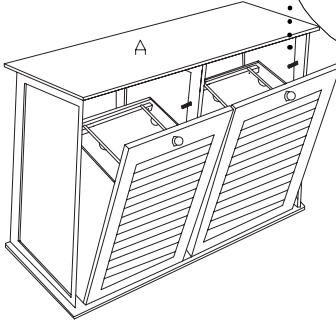


Diagram 11

Diagram 12

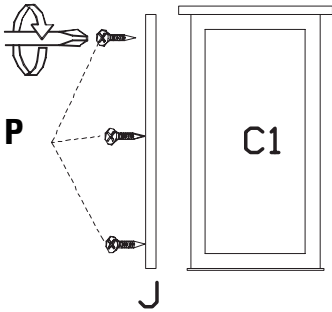
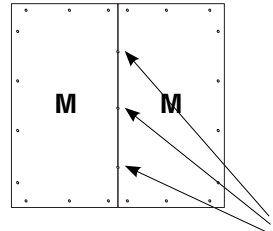


Diagram 12

- Put back board (M) on back of cabinet and attached by using 23 screws (P). Screw 3 middle screws last.



Screw 3 middle screws last.

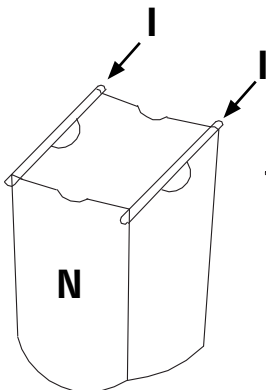


Diagram 13

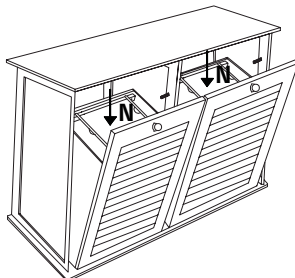


Diagram 13

- Slide 2 bag handles (I) into 1 bag (N) and repeat with second bag.

Thank you for your order!

We appreciate your business. Additional information on your product may be available on our website.



Happy?

Wonderful! We are very glad. Please share your experience with us and others. It helps us know what you like best!

- Review this product at www.householdessential.com.

Search the item # from the home page to find the product. Leave your review under the review tab on the product's page!

- Follow us on Facebook and Instagram!



Not happy?

Please give our St. Louis customer service a call at 1-800-922-5524. We are here to help.

- Missing parts?
- Having trouble with assembly?



WARNING

Attach the unit to the wall with the Tipping Restraint Kit hardware. Follow the instructions printed on restraint kit's bag to install.

Serious or fatal crushing injuries can occur from furniture's tipping over. To help prevent tipping:

- Avoid climbing on or hanging on product .
- Unless specifically designed to accommodate, do not set TVs or other heavy objects on top of this product .
- Place heaviest items in the lowest position possible.
- Secure product to the wall with tipping-restraint.

The use of tipping restraints may only reduce, not eliminate, the risk of tipping over.

Customer Service

1-800-922-5524 | 1-314-428-5657
info@householdessential.com

Open Mon-Fri at 8:30 am CT.
Closed all national holidays.



©2018 HOUSEHOLD ESSENTIALS, LLC
Hazelwood, MO 63042
www.householdessential.com