

# Thank you for your order!

We appreciate your business. Additional information on your product may be available on our website.



Happy?

Wonderful! We are very glad. Please share your experience with us and others. It helps us know what you like best!

- Review this product at [www.HHEstore.com](http://www.HHEstore.com).

Search the item # from the home page to find the product. Leave your review under the review tab on the product's page!

- Follow us on Facebook and Instagram!

## Customer Service

1-800-922-5524 | 1-314-428-5657  
[info@householdessential.com](mailto:info@householdessential.com)

Open Mon-Fri at 8:30 am CT.  
Closed all national holidays.

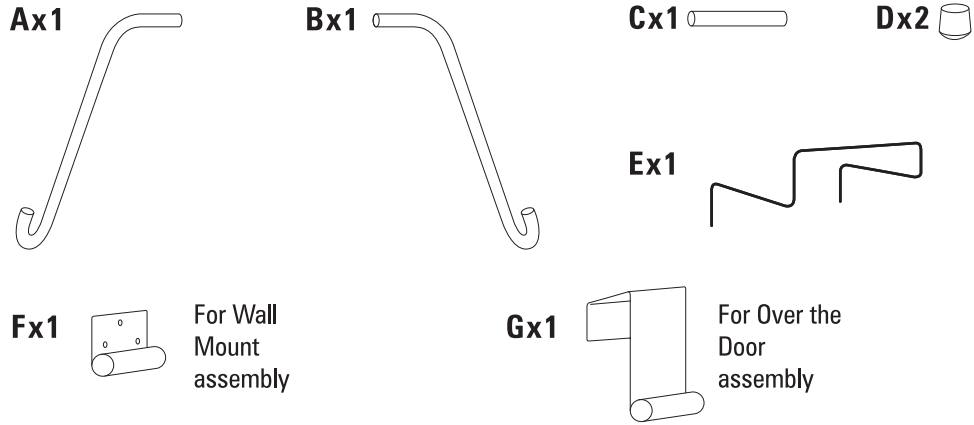


©2020 HOUSEHOLD ESSENTIALS, LLC  
Hazelwood, MO 63042  
[www.householdessential.com](http://www.householdessential.com)

# Ironing Board Holder 174

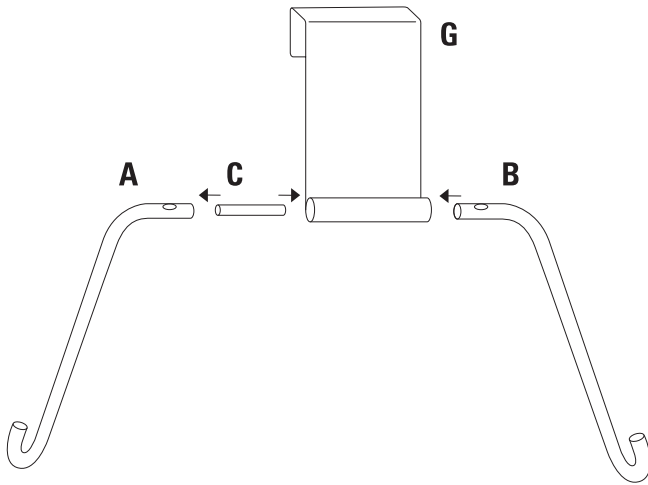


## Parts

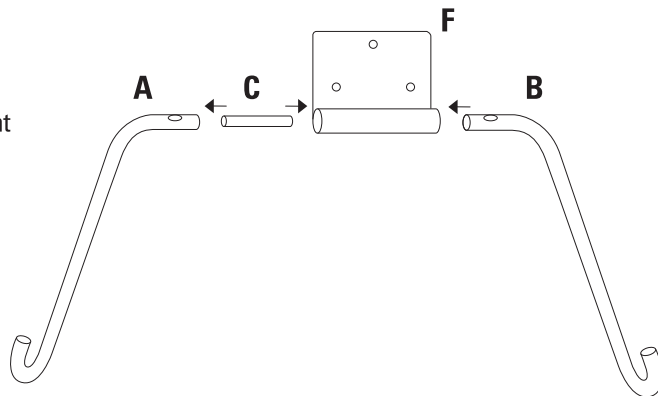


## Assembly

### 1 Assembly for Over the Door

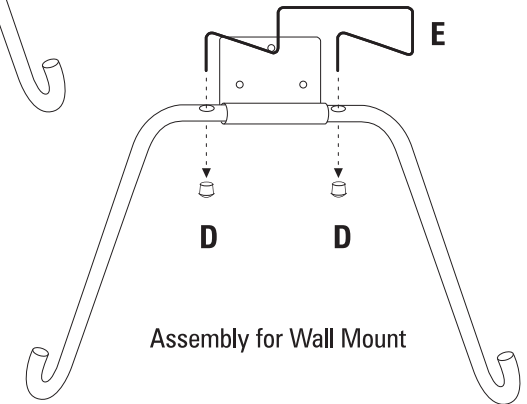
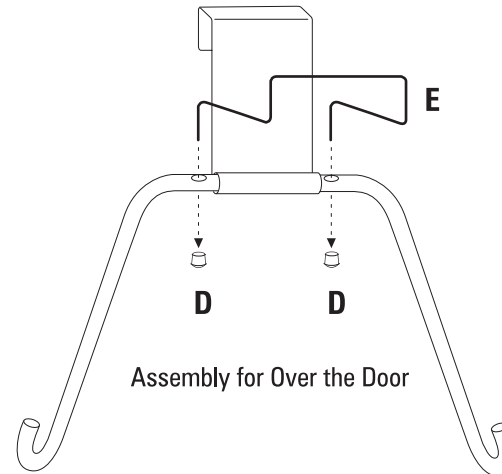


### 1 Assembly for Wall Mount



## Assembly con't

- 2 IMPORTANT:**  
DRAIN WATER FROM STEAM IRON BEFORE HANGING ON HOOK. FAILURE TO DO SO MAY RESULT IN LEAKAGE.



## Wall Mounting

1. Determine location where holder is to be mounted. If mounting inside of closet door make sure there is enough room to close doors.
2. Hold unit level. Use a pencil, mark screw hole positions on wall. Remove unit and drill a 1/8" pilot hole for screws.
3. Install unit using screws (not provided). Installation into a stud is recommended. If installing unit on a hollow surface, additional anchoring inserts may be needed.

