

Thank you for your order!

We appreciate your business. Additional information on your product may be available on our website.



Happy?

Wonderful! We are very glad. Please share your experience with us and others. It helps us know what you like best!

- Review this product at www.HHEstore.com.

Search the item # from the home page to find the product. Leave your review under the review tab on the product's page!

- Follow us on Facebook and Instagram!



Not happy?

Please give our St. Louis customer service a call at 1-800-922-5524 or info@householdessential.com. We are here to help.

- Missing parts?
- Having trouble with assembly?



3-Drawer Storage Chest

8013-1
8033-1

WARNING

Attach the unit to the wall with the Tipping Restraint Kit hardware. Follow the instructions printed on restraint kit's bag to install.

Serious or fatal crushing injuries can occur from furniture's tipping over. To help prevent tipping:

- Avoid climbing on or hanging on product.
- Unless specifically designed to accommodate, do not set TVs or other heavy objects on top of this product.
- Place heaviest items in the lowest position possible.
- Secure product to the wall with tipping-restraint.

The use of tipping restraints may only reduce, not eliminate, the risk of tipping over.

Customer Service

1-800-922-5524 | 1-314-428-5657
info@householdessential.com

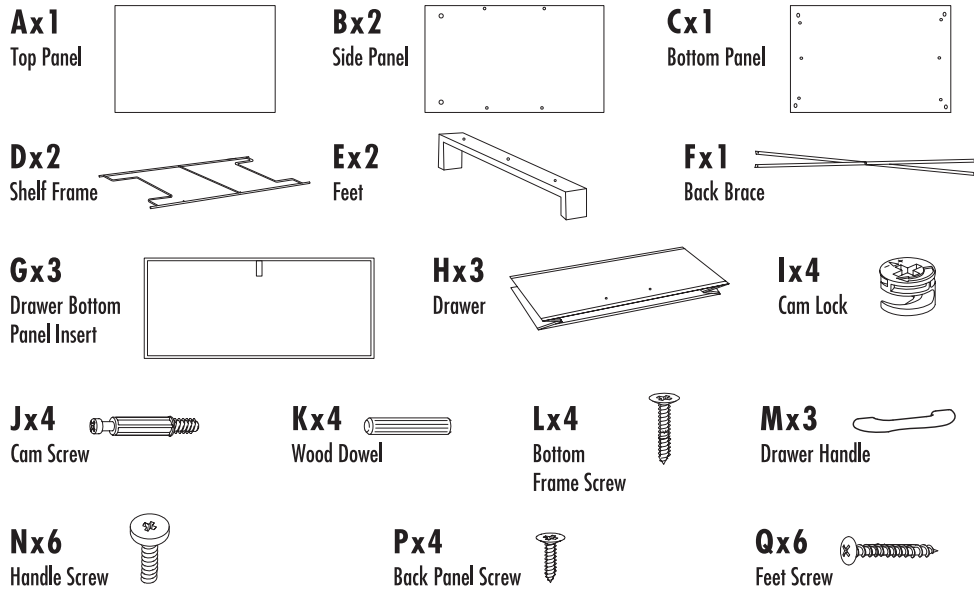
Open Mon-Fri at 8:30 am CT.
Closed all national holidays.



©2020 HOUSEHOLD ESSENTIALS, LLC
Hazelwood, MO 63042
www.householdessential.com

1/2020

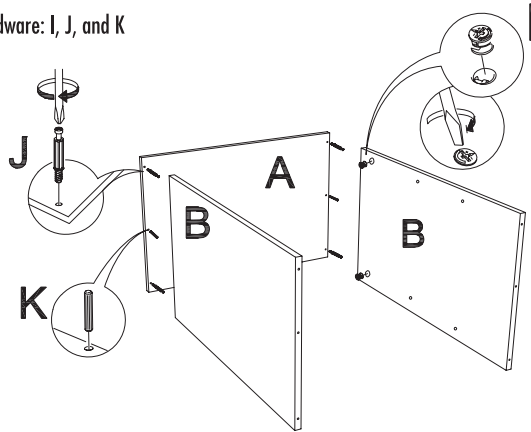
Parts



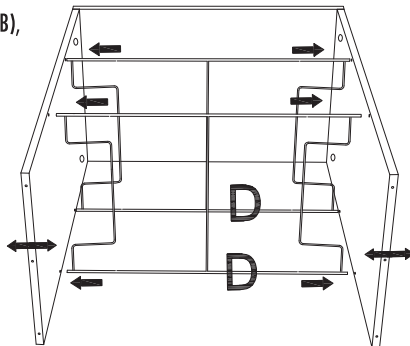
Assembly

1 Attach top panel (A) to side panels (B). Hardware: I, J, and K

- Screw in cam lock screws (J) into the predrilled holes at the 4 corners of the top panel (A). Insert wood dowels (K) into the remaining predrilled holes in the top panel (A).
- Insert cam locks (I) into the predrilled holes in the corners of side panels (B).
- Align the top panel (A) with the predrilled holes in edge of the side panels (B) and press together. Secure by twisting cam locks.



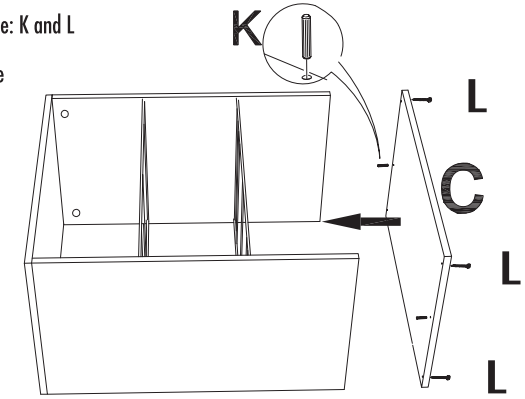
2 Insert shelf frames (D) into predrilled holes in side panels (B), beginning with the holes closest to the top panel (A).



Assembly cont'd

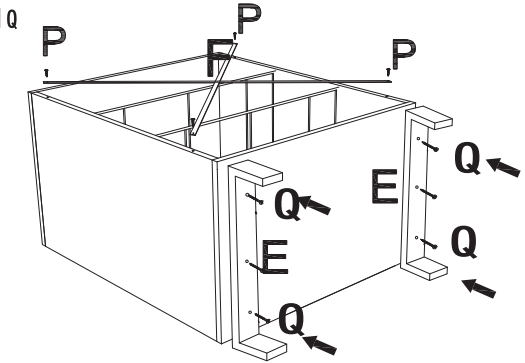
4 Attach bottom panel (C) to side panels (B). Hardware: K and L

- Insert wood dowels (K) into the 2 predrilled holes on the top side of the bottom panel (C).
- Align wood dowels with predrilled holes in the edge of side panels (B) and press dowels into side panels to attach.
- Screw bottom panel (C) to side panels (B) using bottom panel screws (L) through the predrilled holes.



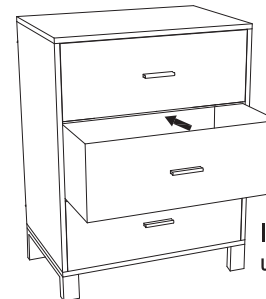
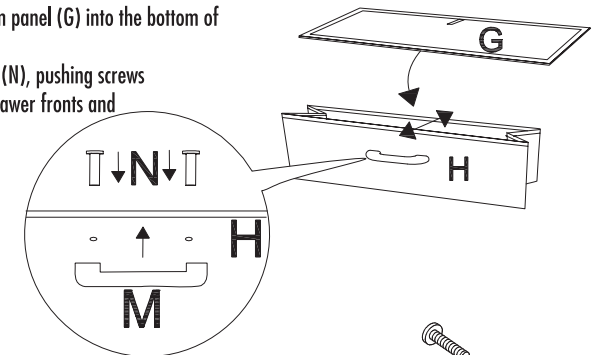
6 Attach back brace (F) and feet (E). Hardware: P and Q

- Screw back brace (F) with frame screws (P) to the back side of side panels (B).
- Position feet (E) on the underside of the bottom panel (C) beneath the side panels. (This position provides the greatest support and stability). Screw feet (E) into the bottom panel (C) with feet screws (Q).



6 Set up drawers (G and H). Hardware: M, N

- Unfold drawers (H) and insert a drawer bottom panel (G) into the bottom of each drawer (H).
- Attach drawer handles (M) with handle screws (N), pushing screws through designated holes in the backside of drawer fronts and screwing them into drawer handles (M).



Insert drawers into unit to finish.

NOTE: Screws may already be screwed into handles.