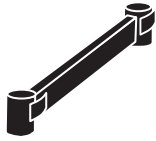


Double Adjustable Garment Rack



A 4 ea
End connector



B 2 ea
Double bar connector



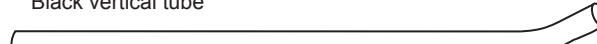
C 4 ea
Wheel



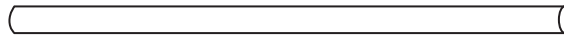
D 4 ea
Black horizontal base tube



E 4 ea
Black vertical tube



F 4 ea
Chrome vertical tube



G 2 ea
Chrome horizontal hanging tube

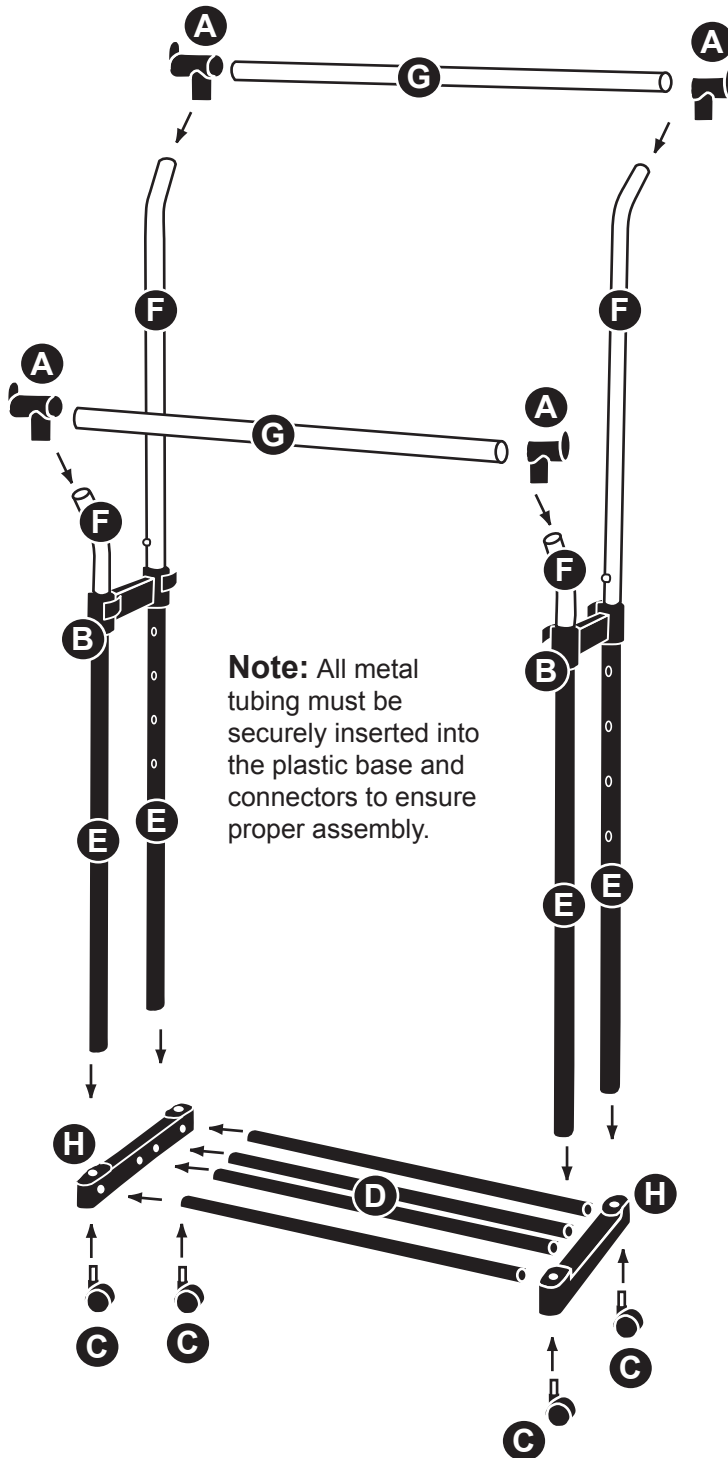


H 2 ea
Base connector

Assembly Time:
Less than 15 minutes.

This product's intended use is for hanging garments.

Tools Needed: No tools required.



Part	Reference
A	F6190
B	F6191
C	F6192
D	F6193
E	F6194
F	F6195
G	F6196
H	F6197

MADE IN CHINA