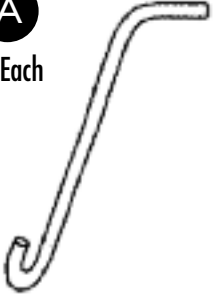
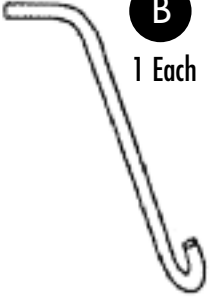


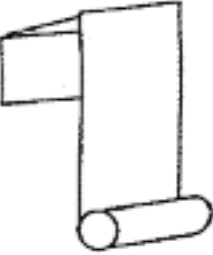




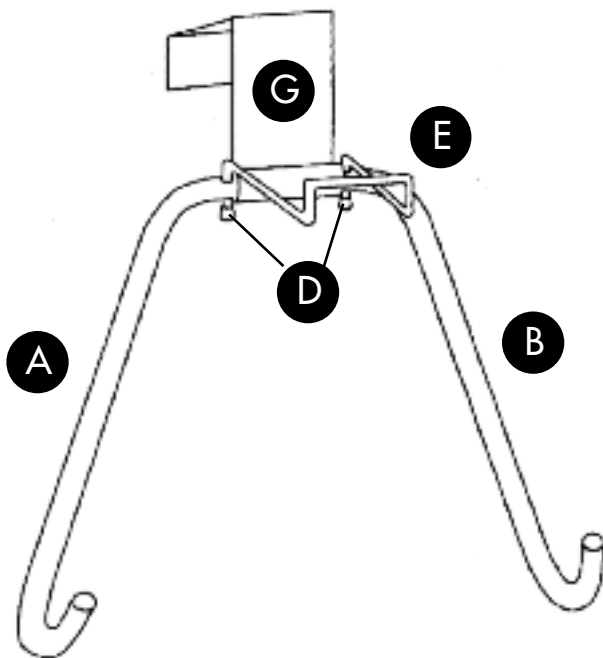
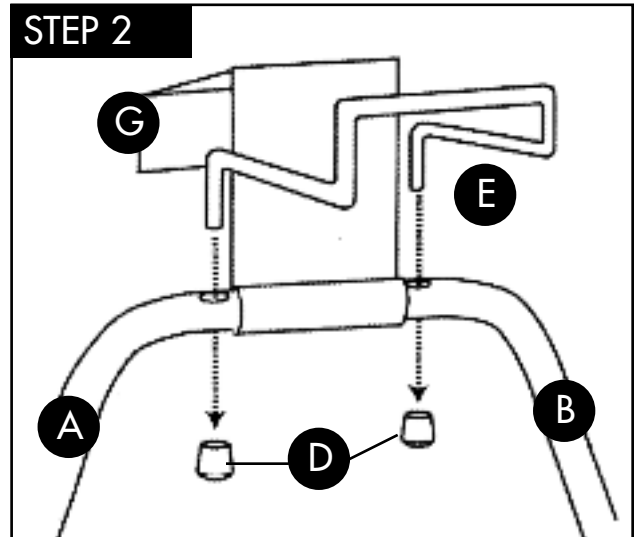
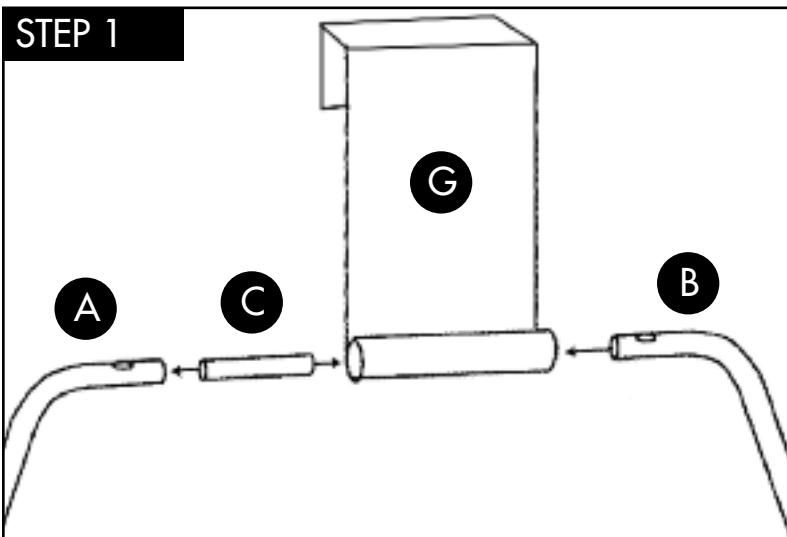
# IRONING BOARD & IRON HOLDER

ITEM #174 & 174JS

## PARTS:

<p><b>A</b> 1 Each</p> 	<p><b>B</b> 1 Each</p> 	<p><b>C</b> 1 Each</p> 	<p><b>F</b> 1 Each</p> 	<p><b>G</b> 1 Each</p>  <p>Over-the-Door Hanger Use for mounting over door.</p>	
		<p><b>D</b> 2 Each</p> 	<p>v Use for wall mount.</p>		
		<p><b>E</b> 1 Each</p> 			

## Over-the-Door Installation Instructions:



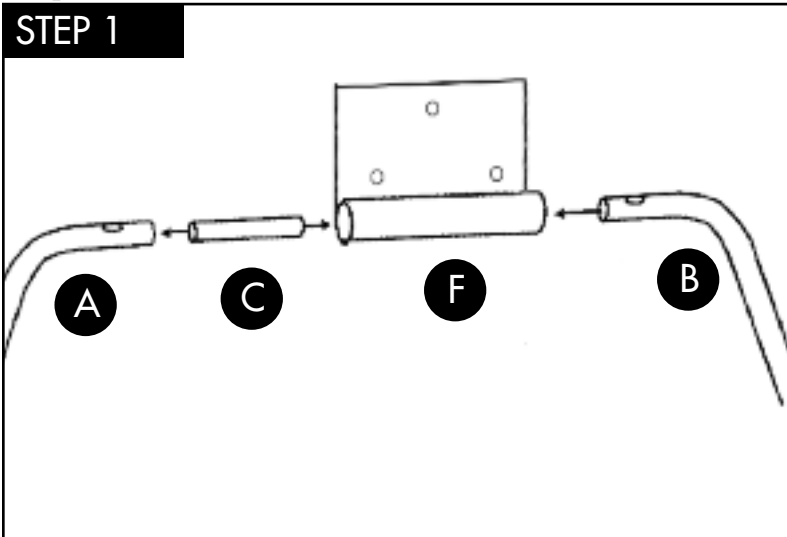
### IMPORTANT:

*DRAIN WATER FROM STEAM IRON BEFORE HANGING ON HOOK. FAILURE TO DO SO MAY RESULT IN LEAKAGE.*

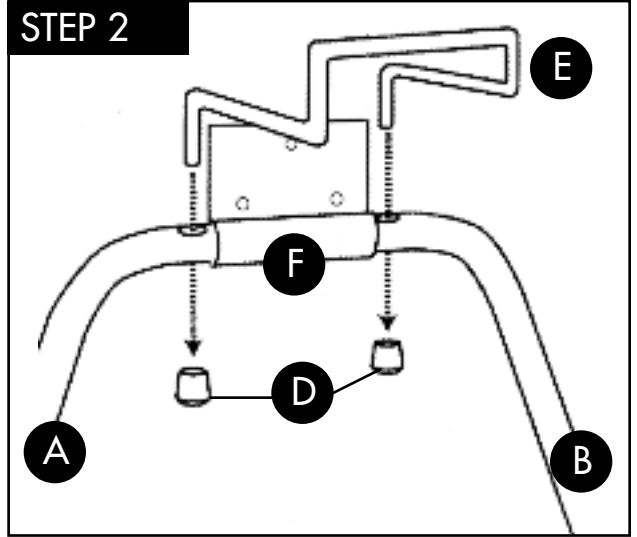
**SEE REVERSE  
FOR DRYWALL INSTALLATION...**

# Drywall Mount Installation Instructions:

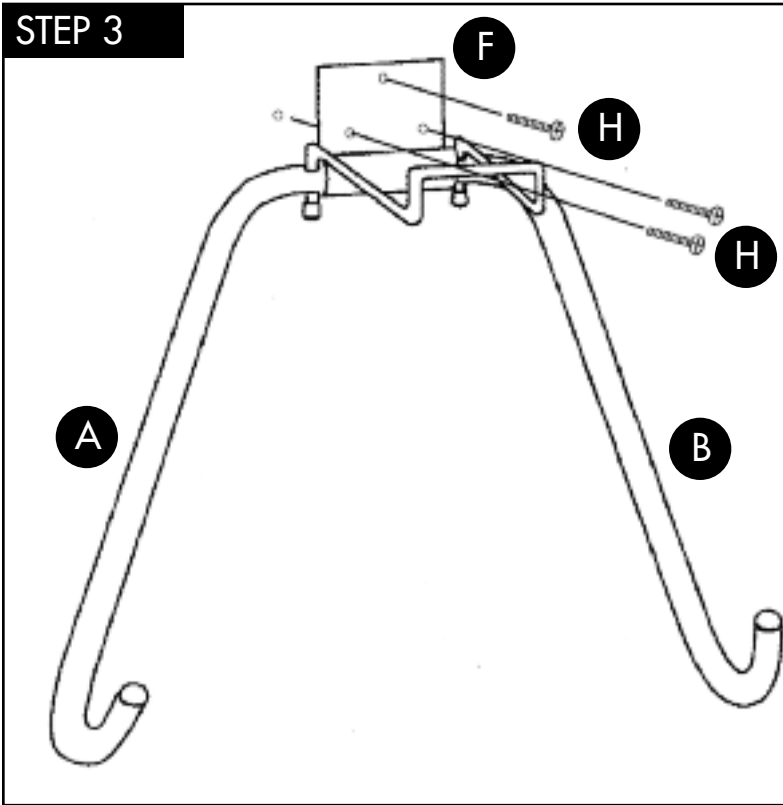
## STEP 1



## STEP 2



## STEP 3



### Wall Mounting:

1. Determine location where holder is to be mounted. If mounting inside of closet door make sure there is enough room to close doors.
2. Hold unit level. Use a pencil, mark screw hole positions on wall. Remove unit and drill a 1/8" pilot hole for screws.
3. Install unit using screws (not provided). Installation into a stud is recommended. If installing unit on a hollow surface, additional anchoring inserts may be needed.

### IMPORTANT:

*DRAIN WATER FROM STEAM IRON BEFORE HANGING ON HOOK. FAILURE TO DO SO MAY RESULT IN LEAKAGE.*

**SEE REVERSE  
FOR OVER-THE-DOOR INSTALLATION...**