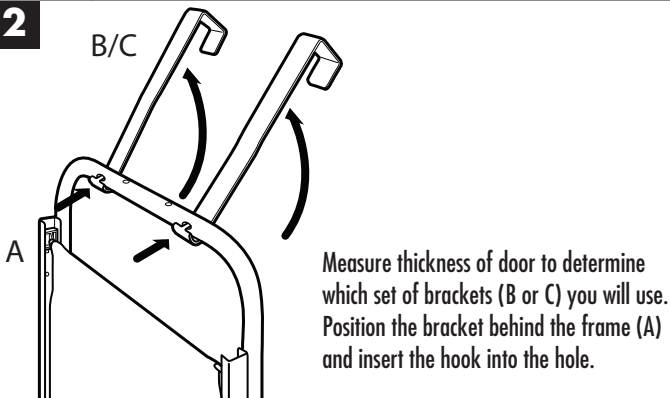
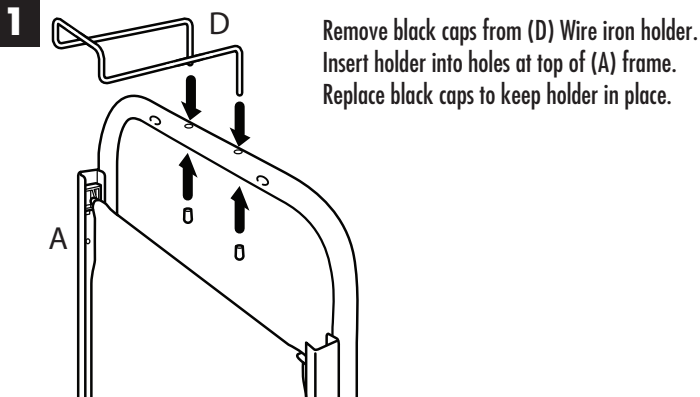
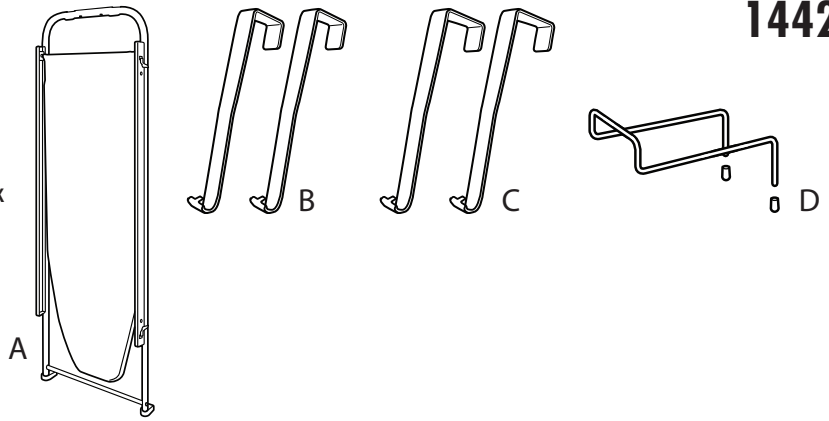


Identify parts before assembling.

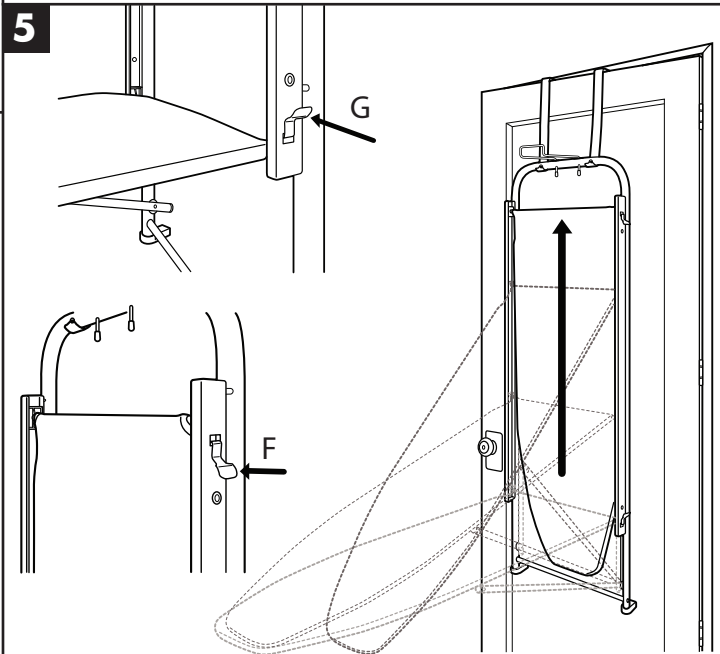
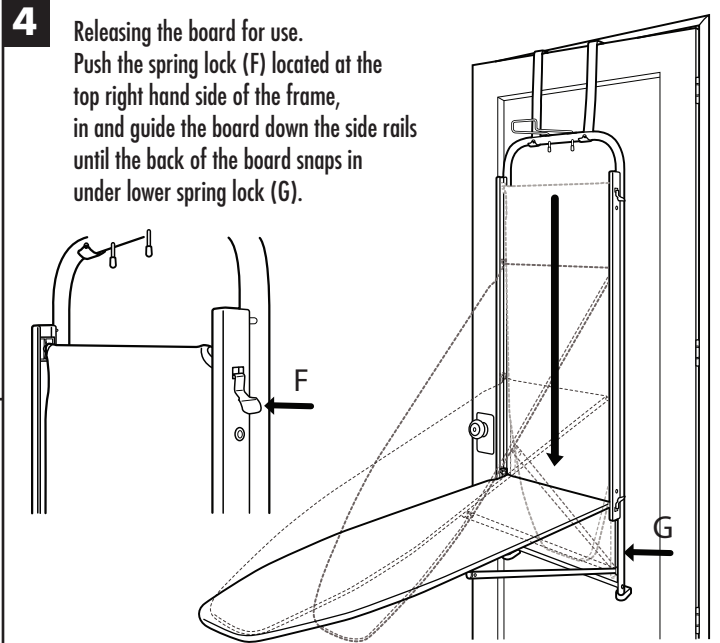
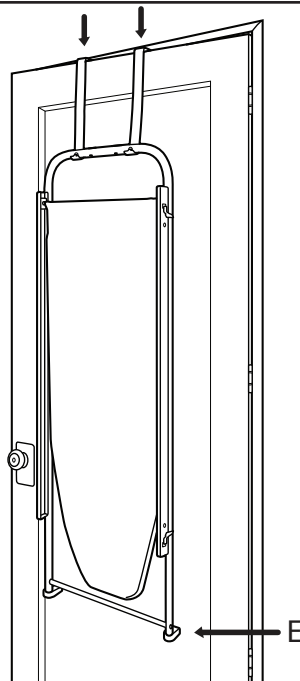
PARTS LIST:

- 1 ea. A. Board on metal frame
- 2 ea. B. Over the door Brackets for Residential doors 1 3/8" thick
- 2 ea. C. Over the door Brackets for Commercial doors 1 3/4" thick
- 1 ea. D. Wire iron holder with caps



3

Holding the brackets in place on the frame, lift the unit and place the brackets over the top of the door. Swivel the black protectors (E) at the base of the frame so the flat side rests against the door.



Customer Service

1-800-922-5524 • 1-314-428-5657



©HOUSEHOLD ESSENTIALS
Hazelwood, MO 63042
1-800-922-5524
1-314-428-5657
www.householdessential.com