

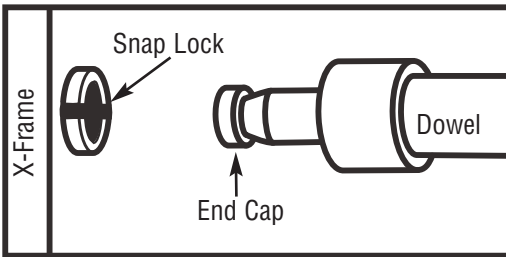
INSTALLATION INSTRUCTIONS

Plastic Drying Rack - 05300

Step-By-Step Instructions:

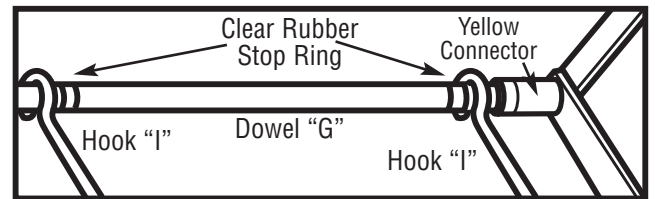
1. Lay the expanded X-frame on a flat surface (floor or table), with the snap locks facing up.
2. Snap and lock dowels into place (EXCEPT FOR DOWEL "G") as described in Figure 1.
3. Slide hooks "I" over ends of dowel "G" to the rubber stop ring. Next insert end of Dowel "G" into yellow connectors on X-frame as shown in Figure 2.
4. Align the remaining X-frame, with snap locks facing down, over the dowels matching the color coded ends. **IMPORTANT: BE SURE TO ALIGN ALL DOWELS & PLACE BOTH HOOKS OVER DOWEL "H" BEFORE LOCKING THE SECOND X-FRAME INTO PLACE.**

FIGURE 1:



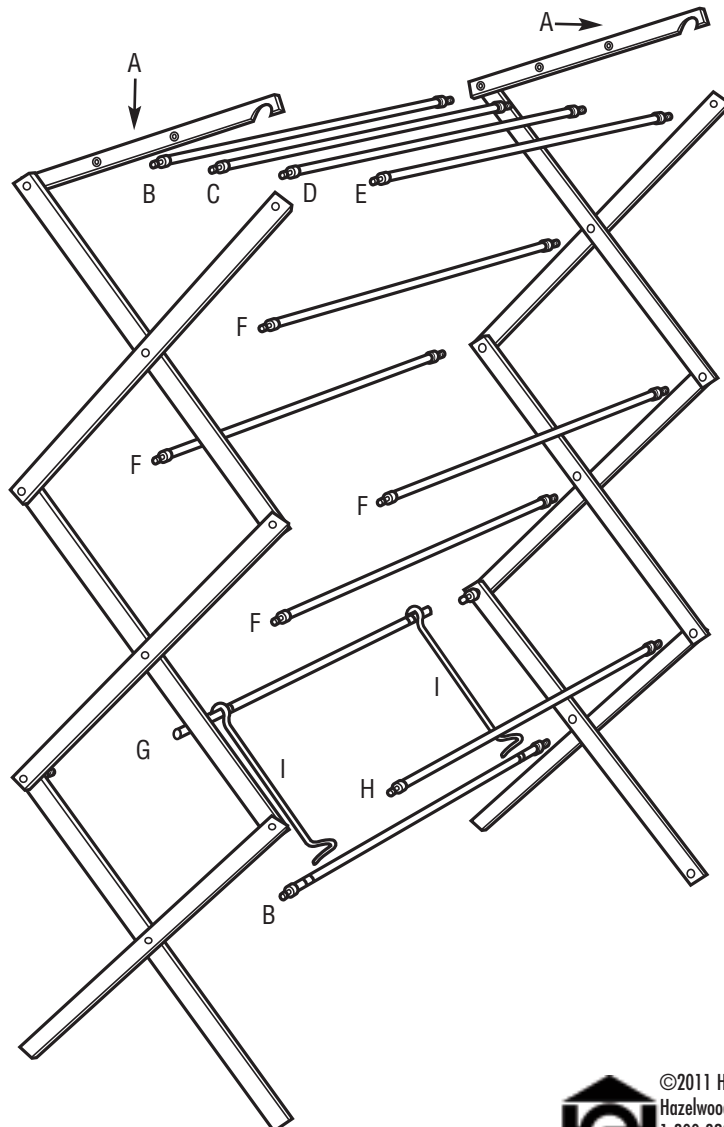
The end of each dowel rod is color coded. Match the end cap color with the correct snap lock color. Align each end cap with the snap lock tip & push together. The dowel is now locked into place.

FIGURE 2:



PARTS LIST:

Qty.	Part
2	A - X-Frame
2	B - Black Ends
1	C - Blue Ends
1	D - Red Ends
1	E - Grey Ends
4	F - White Ends
1	G - Yellow w/Clear Bands Each End
1	H - Green Ends w/Clear Bands
2	I - Metal Hooks



HOLDS UP TO 15 POUNDS OF EVENLY DISTRIBUTED GARMENTS